



# More hold. More stability. More safety.

The new clamp clip portfolio.

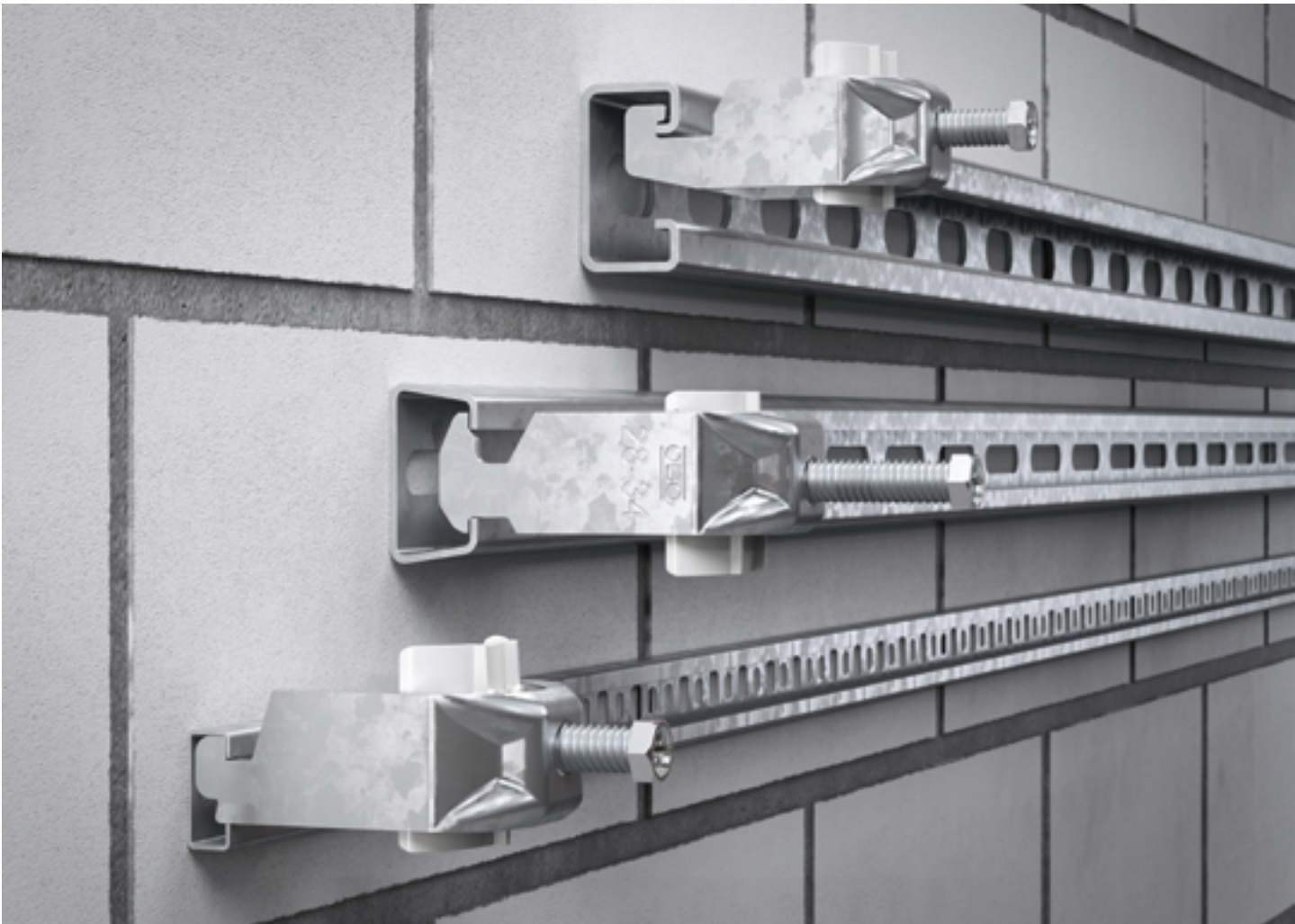
# A good thing made better!



OBO presents the new clamp clips: The portfolio has been completely revised and optimised yet further. The result: The clamp clips are now even more application- and installation-friendly and their hold has been increased considerably. OBO possesses expertise in the field of clamp clips gained over many years and has developed and implemented the optimisation of the portfolio together with some of its customers. This allows us to ensure that the new clamp clips exactly fulfil the requirements of users in practice. With the OBO clamp clips, cables and pipes can be fastened efficiently and reliably to profile rails and cable ladders. They also represent secure mounting on angle and flat irons, as well as on round profiles.

## Every advantage at a glance

- Simpler handling during installation
- More rapid mounting with less effort and lower costs
- Better hold, more stability, more safety
- High-quality material
- High function safety and material resistance
- Wide range of material types and surfaces
- Wide range of base shapes for all conceivable applications
- Metal and plastic pressure trough
- Maintenance of electrical function classes E30 to E90
- Customer-specific special solutions possible on request

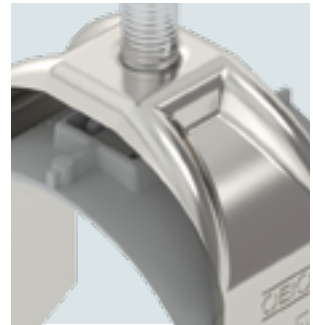


# Thought-out down to the last detail

The new OBO clamp clips stand out with robust surfaces and high-quality materials: They are available in versions made of aluminium (ALMG3), stainless steel A2, stainless steel A4 and steel with a hot-dip galvanised surface. However, they not only stand out through the range of materials, but also through further optimisations, such as a tightening torque of 2 Nm for aluminium, 3–5 Nm for steel and stainless steel A2/A4 and an increased clamping range of 8–100 mm.



Steel



Stainless steel A2



Stainless steel A4



Aluminium



## Screws

- Same head (WAF10) for all screws (M6/M8)
- FT screw with 8.8 quality

## Pressure trough

- Increased material thickness for improved hold
- Pressure troughs available in PP or metal
- Metal pressure trough with rounded edges for more cable protection

## Clip element

- Reinforcement in top area offers simpler mounting
- More stable screw connection through new deep-draw method: The forces act on the entire clip body
- Six different standard base shapes
- With handle recess for improved feel during mounting

## A variety of perfection

With a wide range of variants and sizes, OBO can offer the right clamp clip for any installation situation. In total, the new OBO clamp clip portfolio offers six different main base shapes, which are all suitable for mounting in indoor and outdoor areas:



### N base

For vertical and horizontal mounting of on a C profile rail with 11–12 mm slot width



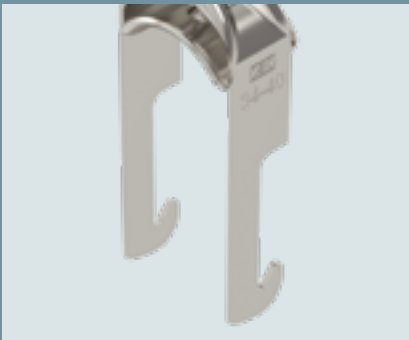
### H base

For vertical and horizontal mounting of on a C profile rail with 16–17 mm slot width



### U base

For vertical and horizontal mounting of on a C profile rail with 18–22 mm slot width



### W base

For vertical and horizontal mounting on an angle iron < 40 mm



### F base

For vertical and horizontal mounting on flat irons with 4–12 mm thickness



### RS base

For vertical and horizontal mounting on round profiles with a diameter of up to 22 mm





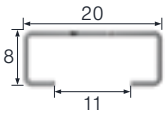
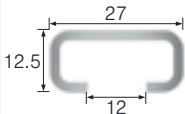
# Type key, clamp clips







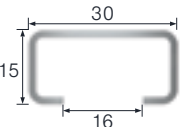
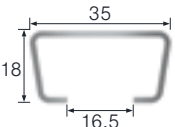
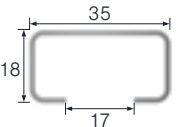
| BS   |            | XX  |            | X                |   | XX |                               | X   |  |
|------|------------|---|------------|------------------|---|----|-------------------------------|---|--|
| BS – | Clamp clip | F base<br>H base<br>N base<br>RS base<br>U base<br>W base | M –<br>K – | Metal<br>Plastic | Value – upper limit of the clamping range in mm |    | FT –<br>A2 –<br>A4 –<br>ALU – | Steel<br>Stainless steel A2<br>Stainless steel A4<br>Aluminium (ALMG 3) |  |
|      |            | 1 – Single<br>2 – Double<br>3 – Triple                    |            |                  |   |    |                               |   |  |

# Clamp clip selection aid

## Light duty

















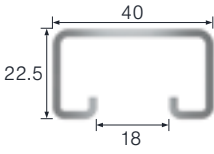
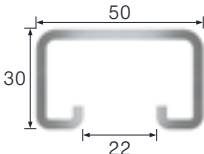
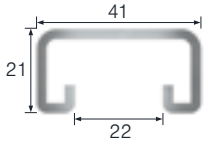
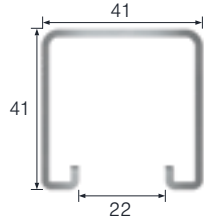
## Medium duty

|                   |   |   |
|-------------------|---|---|
| Clamp clip        |    |    |
| Type              | BS-NX-X-X X   | BS-NX-X-X X   |
| Material          | FT V2A Alu  | FT V2A Alu  |
| Type Profile rail | <b>Type CL2008</b><br>C profile   | <b>Type CL2712</b><br>C profile   |
| Material          | FS V2A  | FS FT   |
| Hole pattern      |  |  |
| Cross-section     |  |  |

|                   |   |   |   |
|-------------------|---|---|---|
| Clamp clip        |   |    |    |
| Type              | BS-HX-X-X X   | BS-HX-X-X X   | BS-HX-X-X X   |
| Material          | FT V2A Alu  | FT V2A Alu  | FT V2A Alu  |
| Type Profile rail | <b>Type CM3015</b><br>C profile   | <b>Type AM3518</b><br>Anchor profile  | <b>Type CM3518</b><br>C profile   |
| Material          | FS FT   | FS FT V2A V4A   | FS FT V2A V4A   |
| Hole pattern      |  |  |  |
| Cross-section     |  |  |  |

# Clamp clip selection aid

## Heavy duty

|   |   |  |   |
|---|---|--|---|
|    |    |    |    |
| BS-UX-X-X X   | BS-UX-X-X X   | BS-UX-X-X X  | BS-UX-X-X X   |
|    |    |    |    |
| <b>Type MS4022</b><br>Mounting profile  | <b>Type MS5030</b><br>Mounting profile  | <b>Type MS4121</b><br>Mounting profile   | <b>Type MS4141</b><br>Mounting profile  |
|   |   |   |   |
|  |  |  |  |
|  |  |  |  |





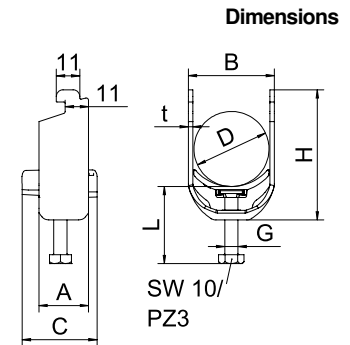
### Clamp clip 2056 N-foot, 1-fold, plastic pressure sleeve

| Type          | Clamping range D mm | Pack Piece | Weight kg/100 pc. | Item no. |
|---------------|---------------------|------------|-------------------|----------|
| BS-N1-K-12 FT | 8-12                | 100        | 2.500             | 1187202  |
| BS-N1-K-16 FT | 12-16               | 100        | 2.919             | 1187208  |
| BS-N1-K-22 FT | 16-22               | 100        | 3.100             | 1187214  |
| BS-N1-K-28 FT | 22-28               | 100        | 4.600             | 1187220  |
| BS-N1-K-34 FT | 28-34               | 100        | 5.900             | 1187226  |
| BS-N1-K-40 FT | 34-40               | 100        | 5.970             | 1187232  |
| BS-N1-K-46 FT | 40-46               | 100        | 6.640             | 1187238  |
| BS-N1-K-52 FT | 46-52               | 100        | 7.270             | 1187244  |
| BS-N1-K-58 FT | 52-58               | 50         | 10.560            | 1187250  |
| BS-N1-K-64 FT | 58-64               | 50         | 11.200            | 1187256  |
| BS-N1-K-70 FT | 64-70               | 50         | 12.330            | 1187262  |



Clamp clip with N-foot, plastic pressure sleeve made of polypropylene. For vertical and horizontal mounting of 1 single cable on a C-profile rail. For slot width 11–12 mm With 1-start screw thread on pressure sleeve, universal hexagonal screw head WAF10, with slot and cross recess. Suitable for assembly indoors and outdoors. We recommend the use of a counter-sleeve.

| Type          | Clamping range D mm | Dim. A mm | Dim. B mm | Dim. C mm | Dim. G mm | Dim. t mm | Dim. H mm | Dim. L mm | Max. torque Nm |
|---------------|---------------------|-----------|-----------|-----------|-----------|-----------|-----------|-----------|----------------|
| BS-N1-K-12 FT | 8-12                | 22.5      | 17        | 34        | M6        | 1.5       | 35        | 35        | 3              |
| BS-N1-K-16 FT | 12-16               | 22.5      | 20        | 34        | M6        | 1.5       | 39        | 35        | 3              |
| BS-N1-K-22 FT | 16-22               | 22.5      | 27        | 34        | M6        | 1.5       | 46        | 35        | 3              |
| BS-N1-K-28 FT | 22-28               | 22.5      | 33        | 34        | M6        | 2         | 52        | 35        | 3              |
| BS-N1-K-34 FT | 28-34               | 22.5      | 39        | 34        | M6        | 2         | 59        | 35        | 3              |
| BS-N1-K-40 FT | 34-40               | 22.5      | 45        | 34        | M6        | 2         | 66        | 70        | 3              |
| BS-N1-K-46 FT | 40-46               | 25        | 51        | 40        | M8        | 2         | 73        | 45        | 5              |
| BS-N1-K-52 FT | 46-52               | 25        | 57        | 40        | M8        | 2         | 80        | 45        | 5              |
| BS-N1-K-58 FT | 52-58               | 25        | 64        | 40        | M8        | 2.5       | 86        | 45        | 5              |
| BS-N1-K-64 FT | 58-64               | 25        | 70        | 40        | M8        | 2.5       | 93        | 45        | 5              |
| BS-N1-K-70 FT | 64-70               | 25        | 76        | 40        | M8        | 2.5       | 99        | 45        | 5              |



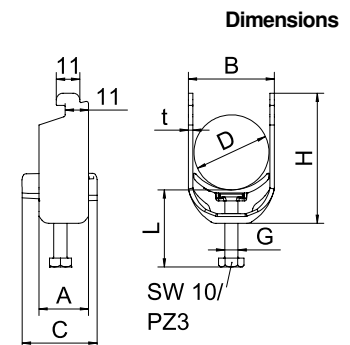
### Clamp clip 2056 N-foot, 1-fold, plastic pressure sleeve

| Type          | Clamping range D mm | Pack Piece | Weight kg/100 pc. | Item no. |
|---------------|---------------------|------------|-------------------|----------|
| BS-N1-K-12 A2 | 8-12                | 50         | 2.500             | 1188102  |
| BS-N1-K-16 A2 | 12-16               | 50         | 2.919             | 1188108  |
| BS-N1-K-22 A2 | 16-22               | 50         | 4.400             | 1188114  |
| BS-N1-K-28 A2 | 22-28               | 50         | 6.500             | 1188120  |
| BS-N1-K-34 A2 | 28-34               | 50         | 8.000             | 1188126  |
| BS-N1-K-40 A2 | 34-40               | 25         | 6.155             | 1188132  |
| BS-N1-K-46 A2 | 40-46               | 25         | 6.770             | 1188138  |



Clamp clip with N-foot, plastic pressure sleeve made of polypropylene. For vertical and horizontal mounting of 1 single cable on a C-profile rail. For slot width 11–12 mm With 1-start screw thread on pressure sleeve, universal hexagonal screw head WAF10, with slot and cross recess. Suitable for assembly indoors and outdoors. We recommend the use of a counter-sleeve.

| Type          | Clamping range D mm | Dim. A mm | Dim. B mm | Dim. C mm | Dim. G mm | Dim. t mm | Dim. H mm | Dim. L mm | Max. torque Nm |
|---------------|---------------------|-----------|-----------|-----------|-----------|-----------|-----------|-----------|----------------|
| BS-N1-K-12 A2 | 8-12                | 22.5      | 17        | 34        | M6        | 1.5       | 35        | 35        | 3              |
| BS-N1-K-16 A2 | 12-16               | 22.5      | 20        | 34        | M6        | 1.5       | 39        | 35        | 3              |
| BS-N1-K-22 A2 | 16-22               | 22.5      | 27        | 34        | M6        | 1.5       | 46        | 35        | 3              |
| BS-N1-K-28 A2 | 22-28               | 22.5      | 33        | 34        | M6        | 2         | 52        | 35        | 3              |
| BS-N1-K-34 A2 | 28-34               | 22.5      | 39        | 34        | M6        | 2         | 59        | 35        | 3              |
| BS-N1-K-40 A2 | 34-40               | 22.5      | 45        | 34        | M6        | 2         | 66        | 70        | 3              |
| BS-N1-K-46 A2 | 40-46               | 25        | 51        | 40        | M8        | 2         | 73        | 45        | 5              |



## Clamp clip 2056 N-foot, 1-fold, plastic pressure sleeve

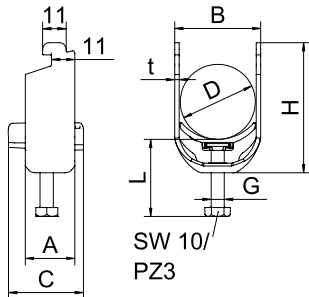
Alu



| Type                  | Clamping range D mm | Pack Piece | Weight kg/100 pc. | Item no.       |
|-----------------------|---------------------|------------|-------------------|----------------|
| <b>BS-N1-K-12 ALU</b> | 8-12                | 50         | 0.900             | <b>1187302</b> |
| <b>BS-N1-K-16 ALU</b> | 12-16               | 50         | 1.090             | <b>1187308</b> |
| <b>BS-N1-K-22 ALU</b> | 16-22               | 50         | 1.200             | <b>1187314</b> |
| <b>BS-N1-K-28 ALU</b> | 22-28               | 50         | 1.700             | <b>1187320</b> |
| <b>BS-N1-K-34 ALU</b> | 28-34               | 50         | 2.200             | <b>1187326</b> |
| <b>BS-N1-K-40 ALU</b> | 34-40               | 50         | 2.350             | <b>1187332</b> |
| <b>BS-N1-K-46 ALU</b> | 40-46               | 50         | 2.550             | <b>1187338</b> |
| <b>BS-N1-K-52 ALU</b> | 46-52               | 50         | 2.880             | <b>1187344</b> |
| <b>BS-N1-K-58 ALU</b> | 52-58               | 50         | 4.100             | <b>1187350</b> |

Clamp clip with N-foot, plastic pressure sleeve made of polypropylene. For vertical and horizontal mounting of 1 single cable on a C-profile rail. For slot width 11–12 mm With 1-start screw thread on pressure sleeve, universal hexagonal screw head WAF10, with slot and cross recess. Suitable for assembly indoors and outdoors. We recommend the use of a counter-sleeve.

### Dimensions



| Type                  | Clamping range D mm | Dim. A mm | Dim. B mm | Dim. C mm | Dim. G mm | Dim. t mm | Dim. H mm | Dim. L mm | Max. torque Nm |
|-----------------------|---------------------|-----------|-----------|-----------|-----------|-----------|-----------|-----------|----------------|
| <b>BS-N1-K-12 ALU</b> | 8-12                | 22.5      | 17        | 34        | M6        | 1.5       | 35        | 35        | 2              |
| <b>BS-N1-K-16 ALU</b> | 12-16               | 22.5      | 20        | 34        | M6        | 1.5       | 39        | 35        | 2              |
| <b>BS-N1-K-22 ALU</b> | 16-22               | 22.5      | 27        | 34        | M6        | 1.5       | 46        | 35        | 2              |
| <b>BS-N1-K-28 ALU</b> | 22-28               | 22.5      | 33        | 34        | M6        | 2         | 52        | 35        | 2              |
| <b>BS-N1-K-34 ALU</b> | 28-34               | 22.5      | 39        | 34        | M6        | 2         | 59        | 35        | 2              |
| <b>BS-N1-K-40 ALU</b> | 34-40               | 22.5      | 45        | 34        | M6        | 2         | 66        | 70        | 2              |
| <b>BS-N1-K-46 ALU</b> | 40-46               | 25        | 51        | 40        | M8        | 2         | 73        | 45        | 2              |
| <b>BS-N1-K-52 ALU</b> | 46-52               | 25        | 57        | 40        | M8        | 2         | 80        | 45        | 2              |
| <b>BS-N1-K-58 ALU</b> | 52-58               | 25        | 64        | 40        | M8        | 2.5       | 86        | 45        | 2              |

## Clamp clip 2056 N-foot, 1-fold, metal pressure sleeve

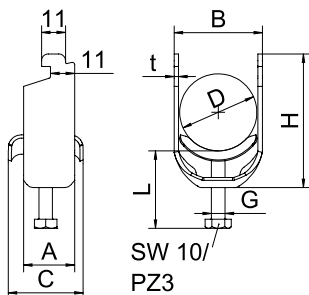
St FT



| Type                 | Clamping range D mm | Pack Piece | Weight kg/100 pc. | Item no.       |
|----------------------|---------------------|------------|-------------------|----------------|
| <b>BS-N1-M-12 FT</b> | 8-12                | 100        | 2.450             | <b>1187002</b> |
| <b>BS-N1-M-16 FT</b> | 12-16               | 100        | 2.800             | <b>1187008</b> |
| <b>BS-N1-M-22 FT</b> | 16-22               | 100        | 3.150             | <b>1187014</b> |
| <b>BS-N1-M-28 FT</b> | 22-28               | 100        | 4.900             | <b>1187020</b> |
| <b>BS-N1-M-34 FT</b> | 28-34               | 100        | 6.400             | <b>1187026</b> |
| <b>BS-N1-M-40 FT</b> | 34-40               | 100        | 7.000             | <b>1187032</b> |
| <b>BS-N1-M-46 FT</b> | 40-46               | 100        | 8.500             | <b>1187038</b> |
| <b>BS-N1-M-52 FT</b> | 46-52               | 100        | 9.150             | <b>1187044</b> |
| <b>BS-N1-M-58 FT</b> | 52-58               | 100        | 12.100            | <b>1187050</b> |

Clamp clip with N-foot, metal pressure sleeve with rounded edges to protect the cable. For vertical and horizontal mounting of 1 single cable on a C-profile rail. For slot width 11–12 mm With 1-start screw thread on pressure sleeve, universal hexagonal screw head WAF10, with slot and cross recess. Suitable for assembly indoors and outdoors. We recommend the use of a counter-sleeve.

### Dimensions



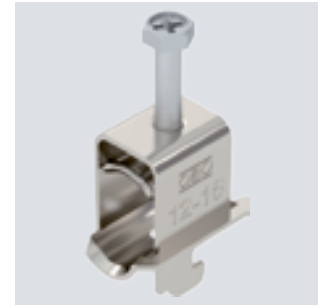
| Type                 | Clamping range D mm | Dim. A mm | Dim. B mm | Dim. C mm | Dim. G mm | Dim. t mm | Dim. H mm | Dim. L mm | Max. torque Nm |
|----------------------|---------------------|-----------|-----------|-----------|-----------|-----------|-----------|-----------|----------------|
| <b>BS-N1-M-12 FT</b> | 8-12                | 22        | 17        | 28        | M6        | 1.5       | 35        | 34        | 3              |
| <b>BS-N1-M-16 FT</b> | 12-16               | 22.5      | 20        | 28        | M6        | 1.5       | 39        | 34        | 3              |
| <b>BS-N1-M-22 FT</b> | 16-22               | 22.5      | 27        | 28        | M6        | 1.5       | 46        | 34        | 3              |
| <b>BS-N1-M-28 FT</b> | 22-28               | 22.5      | 33        | 28        | M6        | 2         | 52        | 78        | 3              |
| <b>BS-N1-M-34 FT</b> | 28-34               | 22.5      | 39        | 34        | M6        | 2         | 59        | 33        | 3              |
| <b>BS-N1-M-40 FT</b> | 34-40               | 22.5      | 45        | 33        | M6        | 2         | 66        | 34        | 3              |
| <b>BS-N1-M-46 FT</b> | 40-46               | 25        | 51        | 33        | M8        | 2         | 73        | 43        | 5              |
| <b>BS-N1-M-52 FT</b> | 46-52               | 25        | 57        | 33        | M8        | 2         | 80        | 43        | 5              |
| <b>BS-N1-M-58 FT</b> | 52-58               | 25        | 64        | 33        | M8        | 2.5       | 86        | 43        | 5              |



## Clamp clip 2056 N foot, single, for screen connection, metal pressure sleeve

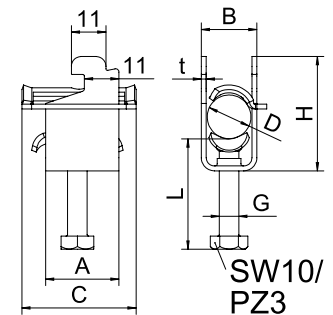
| Type           | Clamping range D mm | Pack Piece | Weight kg/100 pc. | Item no. |
|----------------|---------------------|------------|-------------------|----------|
| BS-SAS-M-8 A2  | 4-8                 | 50         | 2.532             | 1167054  |
| BS-SAS-M-12 A2 | 8-12                | 50         | 2.786             | 1167058  |
| BS-SAS-M-16 A2 | 12-16               | 50         | 3.388             | 1167062  |
| BS-SAS-M-22 A2 | 16-22               | 50         | 4.398             | 1167066  |
| BS-SAS-M-28 A2 | 22-28               | 50         | 6.206             | 1167070  |

Clamp clip with N foot, metal pressure sleeve with rounded edges to protect the cable. For electrical connection of braiding on screened cables. For vertical and horizontal mounting of 1 single cable on a C-profile rail. For slot width 11–12 mm. With 1-start screw thread on pressure sleeve, universal hexagonal screw head WAF10, with slot and cross recess. Suitable for mounting indoors and outdoors. The cable screen can also be used for equipotential bonding if both ends are connected to the reference potential. Counter-trough contained in scope of delivery.



| Type           | Clamping range D mm | Dim. A mm | Dim. B mm | Dim. C mm | Dim. G mm | Dim. t mm | Dim. H mm | Dim. L mm | Max. torque Nm |
|----------------|---------------------|-----------|-----------|-----------|-----------|-----------|-----------|-----------|----------------|
| BS-SAS-M-8 A2  | 4-8                 | 20        | 12        | 35        | M6        | 1.5       | 32        | 33        | 3              |
| BS-SAS-M-12 A2 | 8-12                | 22.5      | 17        | 35        | M6        | 1.5       | 35        | 34        | 3              |
| BS-SAS-M-16 A2 | 12-16               | 22.5      | 20        | 35        | M6        | 1.5       | 39        | 34        | 3              |
| BS-SAS-M-22 A2 | 16-22               | 22.5      | 27        | 35        | M6        | 1.5       | 46        | 34        | 3              |
| BS-SAS-M-28 A2 | 22-28               | 22.5      | 33        | 35        | M6        | 1.5       | 52        | 34        | 3              |

### Dimensions



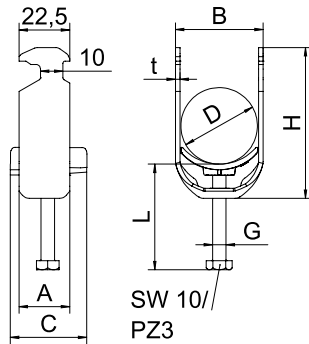
## Clamp clip 2056 H-foot, 1-fold, plastic pressure sleeve



| Type           | Clamping range D mm | Pack Piece | Weight kg/100 pc. | Item no. |
|----------------|---------------------|------------|-------------------|----------|
| BS-H1-K-12 FT  | 8-12                | 100        | 3.540             | 1186202  |
| BS-H1-K-16 FT  | 12-16               | 100        | 3.820             | 1186209  |
| BS-H1-K-22 FT  | 16-22               | 100        | 4.508             | 1186216  |
| BS-H1-K-28 FT  | 22-28               | 100        | 6.240             | 1186222  |
| BS-H1-K-34 FT  | 28-34               | 100        | 7.680             | 1186229  |
| BS-H1-K-40 FT  | 34-40               | 100        | 8.260             | 1186236  |
| BS-H1-K-46 FT  | 40-46               | 100        | 10.900            | 1186242  |
| BS-H1-K-52 FT  | 46-52               | 100        | 11.900            | 1186249  |
| BS-H1-K-58 FT  | 52-58               | 100        | 14.300            | 1186256  |
| BS-H1-K-64 FT  | 58-64               | 100        | 15.600            | 1186262  |
| BS-H1-K-70 FT  | 64-70               | 50         | 18.200            | 1186269  |
| BS-H1-K-76 FT  | 70-76               | 25         | 20.600            | 1186276  |
| BS-H1-K-82 FT  | 76-82               | 25         | 22.000            | 1186282  |
| BS-H1-K-90 FT  | 82-90               | 25         | 26.200            | 1186289  |
| BS-H1-K-100 FT | 90-100              | 25         | 27.800            | 1186297  |

Clamp clip with hammerhead foot, plastic pressure sleeve made of polypropylene. For vertical and horizontal mounting of 1 single cable on a C-profile rail. For a slot width 16–17 mm. With 1-start screw thread on pressure sleeve, universal hexagonal screw head WAF10, with slot and cross recess. Suitable for assembly indoors and outdoors. We recommend the use of a counter-sleeve.

### Dimensions



| Type           | Clamping range D mm | Dim. A mm | Dim. B mm | Dim. C mm | Dim. G mm | Dim. t mm | Dim. H mm | Dim. L mm | Max. torque Nm |
|----------------|---------------------|-----------|-----------|-----------|-----------|-----------|-----------|-----------|----------------|
| BS-H1-K-12 FT  | 8-12                | 22,5      | 17        | 34        | M6        | 1,5       | 42        | 35        | 3              |
| BS-H1-K-16 FT  | 12-16               | 22,5      | 20        | 34        | M6        | 1,5       | 46        | 35        | 3              |
| BS-H1-K-22 FT  | 16-22               | 22,5      | 27        | 34        | M6        | 1,5       | 52        | 35        | 3              |
| BS-H1-K-28 FT  | 22-28               | 22,5      | 33        | 34        | M6        | 2         | 59        | 35        | 3              |
| BS-H1-K-34 FT  | 28-34               | 22,5      | 39        | 34        | M6        | 2         | 67        | 47        | 3              |
| BS-H1-K-40 FT  | 34-40               | 22,5      | 45        | 34        | M6        | 2         | 74        | 47        | 3              |
| BS-H1-K-46 FT  | 40-46               | 25        | 51        | 40        | M8        | 2         | 82        | 45        | 5              |
| BS-H1-K-52 FT  | 46-52               | 25        | 57        | 40        | M8        | 2         | 89        | 46        | 5              |
| BS-H1-K-58 FT  | 52-58               | 25        | 64        | 40        | M8        | 2,5       | 96        | 46        | 5              |
| BS-H1-K-64 FT  | 58-64               | 25        | 70        | 40        | M8        | 2,5       | 102       | 45        | 5              |
| BS-H1-K-70 FT  | 64-70               | 25        | 76        | 40        | M8        | 2,5       | 109       | 46        | 5              |
| BS-H1-K-76 FT  | 70-76               | 25        | 82        | 40        | M8        | 2,5       | 115       | 58        | 5              |
| BS-H1-K-82 FT  | 76-82               | 25        | 88        | 40        | M8        | 2,5       | 122       | 58        | 5              |
| BS-H1-K-90 FT  | 82-90               | 27        | 97        | 40        | M8        | 3         | 132       | 58        | 5              |
| BS-H1-K-100 FT | 90-100              | 27        | 107       | 40        | M8        | 3         | 143       | 58        | 5              |

A2 2B



### Clamp clip 2056 H-foot, 1-fold, plastic pressure sleeve

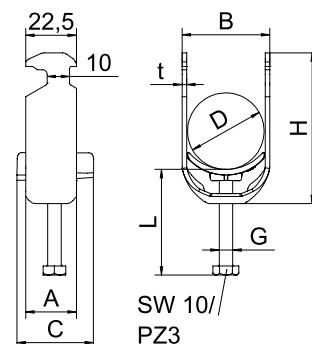
| Type          | Clamping range D mm | Pack Piece | Weight kg/100 pc. | Item no. |
|---------------|---------------------|------------|-------------------|----------|
| BS-H1-K-12 A2 | 8-12                | 50         | 3.300             | 1186302  |
| BS-H1-K-16 A2 | 12-16               | 50         | 3.600             | 1186309  |
| BS-H1-K-22 A2 | 16-22               | 50         | 4.200             | 1186316  |
| BS-H1-K-28 A2 | 22-28               | 50         | 6.500             | 1186322  |
| BS-H1-K-34 A2 | 28-34               | 50         | 7.400             | 1186329  |
| BS-H1-K-40 A2 | 34-40               | 25         | 8.000             | 1186336  |
| BS-H1-K-46 A2 | 40-46               | 25         | 10.900            | 1186342  |
| BS-H1-K-52 A2 | 46-52               | 25         | 11.400            | 1186349  |
| BS-H1-K-58 A2 | 52-58               | 25         | 14.500            | 1186356  |
| BS-H1-K-64 A2 | 58-64               | 15         | 15.600            | 1186362  |
| BS-H1-K-70 A2 | 64-70               | 15         | 18.200            | 1186369  |
| BS-H1-K-76 A2 | 70-76               | 10         | 20.800            | 1186376  |



Clamp clip with hammerhead foot, plastic pressure sleeve made of polypropylene. For vertical and horizontal mounting of 1 single cable on a C-profile rail. For a slot width 16–17 mm. With 1-start screw thread on pressure sleeve, universal hexagonal screw head WAF10, with slot and cross recess. Suitable for assembly indoors and outdoors. We recommend the use of a counter-sleeve.

| Type          | Clamping range D mm | Dim. A mm | Dim. B mm | Dim. C mm | Dim. G mm | Dim. t mm | Dim. H mm | Dim. L mm | Max. torque Nm |
|---------------|---------------------|-----------|-----------|-----------|-----------|-----------|-----------|-----------|----------------|
| BS-H1-K-12 A2 | 8-12                | 22.5      | 17        | 34        | M6        | 1.5       | 42        | 35        | 3              |
| BS-H1-K-16 A2 | 12-16               | 22.5      | 20        | 34        | M6        | 1.5       | 46        | 35        | 3              |
| BS-H1-K-22 A2 | 16-22               | 22.5      | 27        | 34        | M6        | 1.5       | 52        | 35        | 3              |
| BS-H1-K-28 A2 | 22-28               | 22.5      | 33        | 34        | M6        | 2         | 59        | 35        | 3              |
| BS-H1-K-34 A2 | 28-34               | 22.5      | 39        | 34        | M6        | 2         | 67        | 47        | 3              |
| BS-H1-K-40 A2 | 34-40               | 22.5      | 45        | 34        | M6        | 2         | 75        | 47        | 3              |
| BS-H1-K-46 A2 | 40-46               | 25        | 51        | 40        | M8        | 2         | 82        | 45        | 5              |
| BS-H1-K-52 A2 | 46-52               | 25        | 51        | 40        | M8        | 2         | 82        | 46        | 5              |
| BS-H1-K-58 A2 | 52-58               | 25        | 64        | 40        | M8        | 2.5       | 96        | 46        | 5              |
| BS-H1-K-64 A2 | 58-64               | 25        | 70        | 40        | M8        | 2.5       | 102       | 45        | 5              |
| BS-H1-K-70 A2 | 64-70               | 25        | 76        | 40        | M8        | 2.5       | 109       | 46        | 5              |
| BS-H1-K-76 A2 | 70-76               | 25        | 82        | 40        | M8        | 2.5       | 115       | 58        | 5              |

#### Dimensions



## Clamp clip 2056 H-foot, 1-fold, plastic pressure sleeve

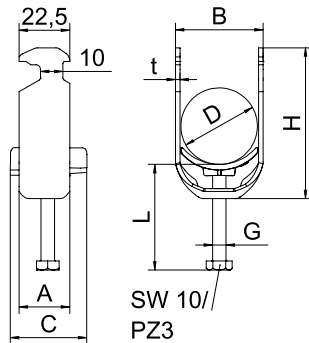
Alu



| Type           | Clamping range D mm | Pack Piece | Weight kg/100 pc. | Item no. |
|----------------|---------------------|------------|-------------------|----------|
| BS-H1-K-12 ALU | 8-12                | 100        | 0.750             | 1186402  |
| BS-H1-K-16 ALU | 12-16               | 100        | 0.900             | 1186409  |
| BS-H1-K-22 ALU | 16-22               | 100        | 1.050             | 1186416  |
| BS-H1-K-28 ALU | 22-28               | 100        | 1.500             | 1186422  |
| BS-H1-K-34 ALU | 28-34               | 100        | 2.300             | 1186429  |
| BS-H1-K-40 ALU | 34-40               | 100        | 2.700             | 1186436  |
| BS-H1-K-46 ALU | 40-46               | 100        | 3.600             | 1186442  |
| BS-H1-K-52 ALU | 46-52               | 100        | 3.900             | 1186449  |
| BS-H1-K-58 ALU | 52-58               | 50         | 4.200             | 1186456  |
| BS-H1-K-64 ALU | 58-64               | 50         | 4.500             | 1186462  |
| BS-H1-K-70 ALU | 64-70               | 50         | 5.400             | 1186469  |
| BS-H1-K-76 ALU | 70-76               | 25         | 5.850             | 1186476  |

Clamp clip with hammerhead foot, plastic pressure sleeve made of polypropylene. For vertical and horizontal mounting of 1 single cable on a C-profile rail. For a slot width 16–17 mm. With 1-start screw thread on pressure sleeve, universal hexagonal screw head WAF10, with slot and cross recess. Suitable for assembly indoors and outdoors. We recommend the use of a counter-sleeve.

### Dimensions



| Type           | Clamping range D mm | Dim. A mm | Dim. B mm | Dim. C mm | Dim. G mm | Dim. t mm | Dim. H mm | Dim. L mm | Max. torque Nm |
|----------------|---------------------|-----------|-----------|-----------|-----------|-----------|-----------|-----------|----------------|
| BS-H1-K-12 ALU | 8-12                | 22.5      | 17        | 34        | M6        | 1.5       | 42        | 35        | 2              |
| BS-H1-K-16 ALU | 12-16               | 22.5      | 20        | 34        | M6        | 1.5       | 46        | 35        | 2              |
| BS-H1-K-22 ALU | 16-22               | 22.5      | 27        | 34        | M6        | 1.5       | 52        | 35        | 2              |
| BS-H1-K-28 ALU | 22-28               | 22.5      | 33        | 34        | M6        | 2         | 59        | 35        | 2              |
| BS-H1-K-34 ALU | 28-34               | 22.5      | 39        | 34        | M6        | 2         | 67        | 47        | 2              |
| BS-H1-K-40 ALU | 34-40               | 22.5      | 45        | 34        | M6        | 2         | 74        | 47        | 2              |
| BS-H1-K-46 ALU | 40-46               | 25        | 51        | 40        | M8        | 2         | 82        | 45        | 2              |
| BS-H1-K-52 ALU | 46-52               | 25        | 57        | 40        | M8        | 2         | 89        | 46        | 2              |
| BS-H1-K-58 ALU | 52-58               | 25        | 64        | 40        | M8        | 2.5       | 96        | 46        | 2              |
| BS-H1-K-64 ALU | 58-64               | 25        | 70        | 40        | M8        | 2.5       | 102       | 45        | 2              |
| BS-H1-K-70 ALU | 64-70               | 25        | 76        | 40        | M8        | 2.5       | 109       | 46        | 2              |
| BS-H1-K-76 ALU | 70-76               | 25        | 82        | 40        | M8        | 2.5       | 115       | 58        | 2              |



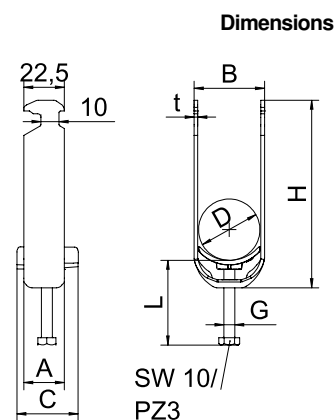
### Clamp clip 2056 H-foot, 2-fold, plastic pressure sleeve

| Type          | Clamping range D mm | Pack Piece | Weight kg/100 pc. | Item no. |
|---------------|---------------------|------------|-------------------|----------|
| BS-H2-K-12 FT | 8-12                | 50         | 4.100             | 1186203  |
| BS-H2-K-16 FT | 12-16               | 50         | 4.650             | 1186210  |
| BS-H2-K-22 FT | 16-22               | 50         | 5.120             | 1186217  |
| BS-H2-K-28 FT | 22-28               | 50         | 7.700             | 1186223  |
| BS-H2-K-34 FT | 28-34               | 50         | 10.200            | 1186230  |
| BS-H2-K-40 FT | 34-40               | 50         | 11.450            | 1186237  |
| BS-H2-K-46 FT | 40-46               | 50         | 14.900            | 1186243  |
| BS-H2-K-52 FT | 46-52               | 50         | 11.900            | 1186250  |
| BS-H2-K-58 FT | 52-58               | 50         | 21.400            | 1186257  |
| BS-H2-K-64 FT | 58-64               | 50         | 24.250            | 1186263  |



Clamp clip with hammerhead foot, plastic pressure sleeve made of polypropylene. For vertical and horizontal mounting of 2 single cables on a C-profile rail. For a slot width 16–17 mm. With 1-start screw thread on pressure sleeve, universal hexagonal screw head WAF10, with slot and cross recess. Suitable for assembly indoors and outdoors. Multiple cables should be separated by double sleeves. We recommend the use of a counter-sleeve.

| Type          | Clamping range D mm | Dim. A mm | Dim. B mm | Dim. C mm | Dim. G mm | Dim. t mm | Dim. H mm | Dim. L mm | Max. torque Nm |
|---------------|---------------------|-----------|-----------|-----------|-----------|-----------|-----------|-----------|----------------|
| BS-H2-K-12 FT | 8-12                | 22.5      | 17        | 34        | M6        | 1.5       | 55        | 35        | 3              |
| BS-H2-K-16 FT | 12-16               | 22.5      | 20        | 34        | M6        | 1.5       | 63        | 35        | 3              |
| BS-H2-K-22 FT | 16-22               | 22.5      | 27        | 34        | M6        | 1.5       | 77        | 35        | 3              |
| BS-H2-K-28 FT | 22-28               | 22.5      | 33        | 34        | M6        | 2         | 91        | 35        | 3              |
| BS-H2-K-34 FT | 28-34               | 22.5      | 39        | 34        | M6        | 2         | 104       | 47        | 3              |
| BS-H2-K-40 FT | 34-40               | 22.5      | 45        | 34        | M6        | 2         | 118       | 47        | 3              |
| BS-H2-K-46 FT | 40-46               | 25        | 51        | 40        | M8        | 2         | 132       | 57        | 5              |
| BS-H2-K-52 FT | 46-52               | 25        | 57        | 40        | M8        | 2         | 89        | 57        | 5              |
| BS-H2-K-58 FT | 52-58               | 25        | 64        | 40        | M8        | 2.5       | 159       | 57        | 5              |
| BS-H2-K-64 FT | 58-64               | 25        | 70        | 40        | M8        | 2.5       | 172       | 58        | 5              |



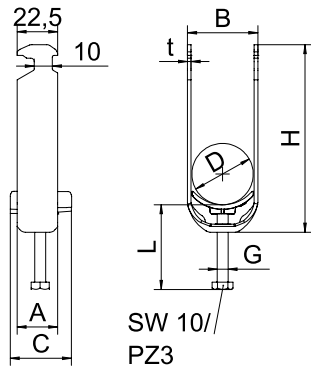
## Clamp clip 2056 H-foot, 2-fold, plastic pressure sleeve



| Type          | Clamping range D mm | Pack Piece | Weight kg/100 pc. | Item no. |
|---------------|---------------------|------------|-------------------|----------|
| BS-H2-K-16 A2 | 12-16               | 50         | 4.650             | 1186310  |
| BS-H2-K-22 A2 | 16-22               | 50         | 5.150             | 1186317  |
| BS-H2-K-28 A2 | 16-22               | 50         | 7.700             | 1186323  |
| BS-H2-K-34 A2 | 28-34               | 50         | 10.200            | 1186330  |
| BS-H2-K-40 A2 | 34-40               | 25         | 14.350            | 1186337  |
| BS-H2-K-46 A2 | 40-46               | 25         | 14.950            | 1186343  |
| BS-H2-K-52 A2 | 46-52               | 25         | 16.700            | 1186350  |
| BS-H2-K-58 A2 | 52-58               | 25         | 21.400            | 1186357  |
| BS-H2-K-64 A2 | 58-64               | 15         | 24.250            | 1186363  |

Clamp clip with hammerhead foot, plastic pressure sleeve made of polypropylene. For vertical and horizontal mounting of 2 single cables on a C-profile rail. For a slot width 16–17 mm. With 1-start screw thread on pressure sleeve, universal hexagonal screw head WAF10, with slot and cross recess. Suitable for assembly indoors and outdoors. Multiple cables should be separated by double sleeves. We recommend the use of a counter-sleeve.

### Dimensions



| Type          | Clamping range D mm | Dim. A mm | Dim. B mm | Dim. C mm | Dim. G mm | Dim. t mm | Dim. H mm | Dim. L mm | Max. torque Nm |
|---------------|---------------------|-----------|-----------|-----------|-----------|-----------|-----------|-----------|----------------|
| BS-H2-K-16 A2 | 12-16               | 22.5      | 20        | 34        | M6        | 1.5       | 63        | 35        | 3              |
| BS-H2-K-22 A2 | 16-22               | 22.5      | 27        | 34        | M6        | 1.5       | 77        | 35        | 3              |
| BS-H2-K-28 A2 | 16-22               | 22.5      | 33        | 34        | M6        | 2         | 91        | 35        | 3              |
| BS-H2-K-34 A2 | 28-34               | 22.5      | 39        | 34        | M6        | 2         | 104       | 47        | 3              |
| BS-H2-K-40 A2 | 34-40               | 22.5      | 45        | 34        | M6        | 2         | 118       | 47        | 3              |
| BS-H2-K-46 A2 | 40-46               | 25        | 51        | 40        | M8        | 2         | 132       | 57        | 5              |
| BS-H2-K-52 A2 | 46-52               | 25        | 57        | 40        | M8        | 2         | 89        | 57        | 5              |
| BS-H2-K-58 A2 | 52-58               | 25        | 64        | 40        | M8        | 2.5       | 159       | 57        | 5              |
| BS-H2-K-64 A2 | 58-64               | 25        | 70        | 40        | M8        | 2.5       | 172       | 58        | 5              |



Alu



### Clamp clip 2056 H-foot, 2-fold, plastic pressure sleeve

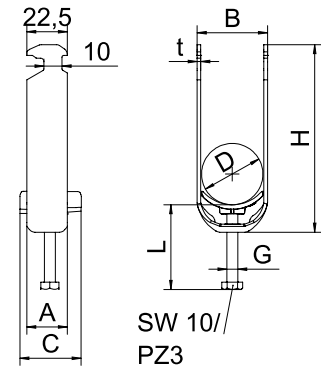
| Type           | Clamping range D mm | Pack Piece | Weight kg/100 pc. | Item no. |
|----------------|---------------------|------------|-------------------|----------|
| BS-H2-K-12 ALU | 8-12                | 50         | 1.000             | 1186403  |
| BS-H2-K-16 ALU | 12-16               | 50         | 1.250             | 1186410  |
| BS-H2-K-22 ALU | 16-22               | 50         | 1.500             | 1186417  |
| BS-H2-K-28 ALU | 22-28               | 50         | 2.000             | 1186423  |
| BS-H2-K-34 ALU | 28-34               | 50         | 3.200             | 1186430  |
| BS-H2-K-40 ALU | 34-40               | 50         | 3.750             | 1186437  |
| BS-H2-K-46 ALU | 40-46               | 50         | 4.850             | 1186443  |
| BS-H2-K-52 ALU | 46-52               | 50         | 5.300             | 1186450  |
| BS-H2-K-58 ALU | 52-58               | 50         | 6.000             | 1186457  |



Clamp clip with hammerhead foot, plastic pressure sleeve made of polypropylene. For vertical and horizontal mounting of 2 single cables on a C-profile rail. For a slot width 16–17 mm. With 1-start screw thread on pressure sleeve, universal hexagonal screw head WAF10, with slot and cross recess. Suitable for assembly indoors and outdoors. Multiple cables should be separated by double sleeves. We recommend the use of a counter-sleeve.

| Type           | Clamping range D mm | Dim. A mm | Dim. B mm | Dim. C mm | Dim. G mm | Dim. t mm | Dim. H mm | Dim. L mm | Max. torque Nm |
|----------------|---------------------|-----------|-----------|-----------|-----------|-----------|-----------|-----------|----------------|
| BS-H2-K-12 ALU | 8-12                | 22.5      | 17        | 34        | M6        | 1.5       | 55        | 35        | 2              |
| BS-H2-K-16 ALU | 12-16               | 22.5      | 20        | 34        | M6        | 1.5       | 63        | 35        | 2              |
| BS-H2-K-22 ALU | 16-22               | 22.5      | 27        | 34        | M6        | 1.5       | 77        | 35        | 2              |
| BS-H2-K-28 ALU | 22-28               | 22.5      | 33        | 34        | M6        | 2         | 91        | 35        | 2              |
| BS-H2-K-34 ALU | 28-34               | 22.5      | 36        | 34        | M6        | 2         | 104       | 47        | 2              |
| BS-H2-K-40 ALU | 34-40               | 22.5      | 45        | 34        | M6        | 2         | 118       | 47        | 2              |
| BS-H2-K-46 ALU | 40-46               | 25        | 51        | 40        | M8        | 2         | 132       | 57        | 2              |
| BS-H2-K-52 ALU | 46-52               | 25        | 57        | 40        | M8        | 2         | 89        | 57        | 2              |
| BS-H2-K-58 ALU | 52-58               | 25        | 64        | 40        | M8        | 2.5       | 159       | 57        | 2              |

#### Dimensions



St FT



### Clamp clip 2056 H-foot, 3-fold, plastic pressure sleeve

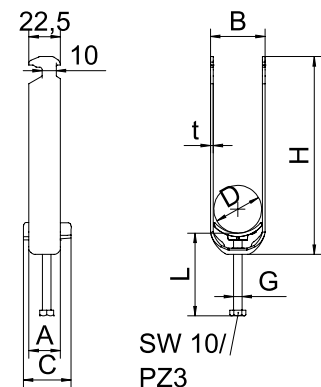
| Type          | Clamping range D mm | Pack Piece | Weight kg/100 pc. | Item no. |
|---------------|---------------------|------------|-------------------|----------|
| BS-H3-K-12 FT | 8-12                | 50         | 4.900             | 1186204  |
| BS-H3-K-16 FT | 12-16               | 50         | 6.200             | 1186211  |
| BS-H3-K-22 FT | 16-22               | 50         | 7.100             | 1186218  |
| BS-H3-K-28 FT | 22-28               | 50         | 10.650            | 1186224  |
| BS-H3-K-34 FT | 28-34               | 50         | 13.100            | 1186231  |
| BS-H3-K-40 FT | 34-40               | 50         | 14.350            | 1186238  |
| BS-H3-K-46 FT | 40-46               | 25         | 19.800            | 1186244  |



Clamp clip with hammerhead foot, plastic pressure sleeve made of polypropylene. For vertical and horizontal mounting of 3 single cables on a C-profile rail. For a slot width 16–17 mm. With 1-start screw thread on pressure sleeve, universal hexagonal screw head WAF10, with slot and cross recess. Suitable for assembly indoors and outdoors. Multiple cables should be separated by double sleeves. We recommend the use of a counter-sleeve.

| Type          | Clamping range D mm | Dim. A mm | Dim. B mm | Dim. C mm | Dim. G mm | Dim. t mm | Dim. H mm | Dim. L mm | Max. torque Nm |
|---------------|---------------------|-----------|-----------|-----------|-----------|-----------|-----------|-----------|----------------|
| BS-H3-K-12 FT | 8-12                | 22.5      | 17        | 34        | M6        | 1.5       | 68        | 47        | 3              |
| BS-H3-K-16 FT | 12-16               | 22.5      | 20        | 34        | M6        | 1.5       | 81        | 35        | 3              |
| BS-H3-K-22 FT | 16-22               | 22.5      | 27        | 34        | M6        | 1.5       | 101       | 35        | 3              |
| BS-H3-K-28 FT | 22-28               | 22.5      | 33        | 34        | M6        | 2         | 121       | 35        | 3              |
| BS-H3-K-34 FT | 28-34               | 22.5      | 39        | 34        | M6        | 2         | 141       | 47        | 3              |
| BS-H3-K-40 FT | 34-40               | 22.5      | 45        | 34        | M6        | 2         | 161       | 59        | 3              |
| BS-H3-K-46 FT | 40-46               | 25        | 51        | 40        | M8        | 2         | 182       | 72        | 5              |

#### Dimensions



## Clamp clip 2056 H-foot, 3-fold, plastic pressure sleeve

Alu

16-17

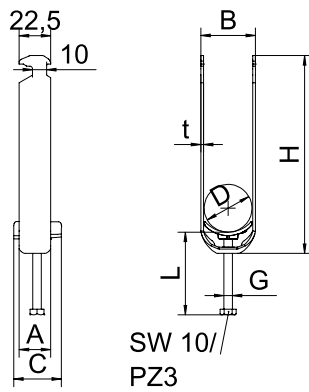
H



| Type           | Clamping range D mm | Pack Piece | Weight kg/100 pc. | Item no. |
|----------------|---------------------|------------|-------------------|----------|
| BS-H3-K-22 ALU | 16-22               | 50         | 2,050             | 1186418  |
| BS-H3-K-28 ALU | 22-28               | 50         | 2,900             | 1186424  |
| BS-H3-K-34 ALU | 28-34               | 50         | 4,200             | 1186431  |

Clamp clip with hammerhead foot, plastic pressure sleeve made of polypropylene. For vertical and horizontal mounting of 3 single cables on a C-profile rail. For a slot width 16–17 mm. With 1-start screw thread on pressure sleeve, universal hexagonal screw head WAF10, with slot and cross recess. Suitable for assembly indoors and outdoors. Multiple cables should be separated by double sleeves. We recommend the use of a counter-sleeve.

### Dimensions



| Type           | Clamping range D mm | Dim. A mm | Dim. B mm | Dim. C mm | Dim. G mm | Dim. t mm | Dim. H mm | Dim. L mm | Max. torque Nm |
|----------------|---------------------|-----------|-----------|-----------|-----------|-----------|-----------|-----------|----------------|
| BS-H3-K-22 ALU | 16-22               | 22,5      | 27        | 34        | M6        | 1,5       | 101       | 35        | 2              |
| BS-H3-K-28 ALU | 22-28               | 22,5      | 33        | 34        | M6        | 2         | 121       | 35        | 2              |
| BS-H3-K-34 ALU | 28-34               | 22,5      | 39        | 34        | M6        | 2         | 141       | 47        | 2              |



### Clamp clip 2056 H-foot, 1-fold, metal pressure sleeve

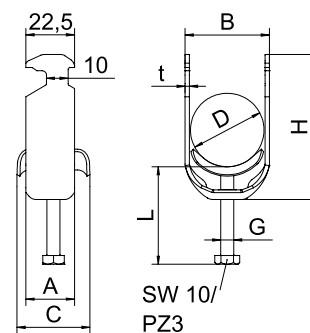
| Type           | Clamping range D mm | Pack Piece | Weight kg/100 pc. | Item no. |
|----------------|---------------------|------------|-------------------|----------|
| BS-H1-M-12 FT  | 8-12                | 100        | 3.200             | 1186002  |
| BS-H1-M-16 FT  | 12-16               | 100        | 3.500             | 1186009  |
| BS-H1-M-22 FT  | 16-22               | 100        | 4.400             | 1186016  |
| BS-H1-M-28 FT  | 22-28               | 100        | 6.100             | 1186022  |
| BS-H1-M-34 FT  | 28-34               | 100        | 7.700             | 1186029  |
| BS-H1-M-40 FT  | 34-40               | 100        | 8.600             | 1186036  |
| BS-H1-M-46 FT  | 40-46               | 100        | 9.600             | 1186042  |
| BS-H1-M-52 FT  | 46-52               | 100        | 10.400            | 1186049  |
| BS-H1-M-58 FT  | 52-58               | 100        | 13.100            | 1186056  |
| BS-H1-M-64 FT  | 58-64               | 100        | 14.500            | 1186062  |
| BS-H1-M-70 FT  | 64-70               | 50         | 16.100            | 1186069  |
| BS-H1-M-76 FT  | 70-76               | 25         | 18.300            | 1186076  |
| BS-H1-M-82 FT  | 76-82               | 25         | 19.100            | 1186082  |
| BS-H1-M-90 FT  | 82-90               | 25         | 23.300            | 1186089  |
| BS-H1-M-100 FT | 90-100              | 25         | 24.500            | 1186097  |



Clamp clip with hammerhead foot, metal pressure sleeve with rounded edges to protect the cable. For vertical and horizontal mounting of 1 single cable on a C-profile rail. For a slot width 16–17 mm. With 1-start screw thread on pressure sleeve, universal hexagonal screw head WAF10, with slot and cross recess. Suitable for assembly indoors and outdoors. The counter-sleeve must be ordered separately.

| Type           | Clamping range D mm | Dim. A mm | Dim. B mm | Dim. C mm | Dim. G mm | Dim. t mm | Dim. H mm | Dim. L mm | Max. torque Nm |
|----------------|---------------------|-----------|-----------|-----------|-----------|-----------|-----------|-----------|----------------|
| BS-H1-M-12 FT  | 8-12                | 22,5      | 17        | 28        | M6        | 1,5       | 42        | 34        | 3              |
| BS-H1-M-16 FT  | 12-16               | 22,5      | 20        | 28        | M6        | 1,5       | 46        | 34        | 3              |
| BS-H1-M-22 FT  | 16-22               | 22,5      | 27        | 28        | M6        | 1,5       | 52        | 34        | 3              |
| BS-H1-M-28 FT  | 22-28               | 22,5      | 33        | 28        | M6        | 2         | 59        | 34        | 3              |
| BS-H1-M-34 FT  | 28-34               | 22,5      | 39        | 34        | M6        | 2         | 67        | 45        | 3              |
| BS-H1-M-40 FT  | 34-40               | 22,5      | 45        | 33        | M6        | 2         | 74        | 46        | 3              |
| BS-H1-M-46 FT  | 40-46               | 25        | 51        | 33        | M8        | 2         | 82        | 43        | 5              |
| BS-H1-M-52 FT  | 46-52               | 25        | 57        | 33        | M8        | 2         | 89        | 43        | 5              |
| BS-H1-M-58 FT  | 52-58               | 25        | 64        | 33        | M8        | 2,5       | 96        | 43        | 5              |
| BS-H1-M-64 FT  | 58-64               | 25        | 70        | 33        | M8        | 2,5       | 102       | 43        | 5              |
| BS-H1-M-70 FT  | 64-70               | 25        | 76        | 33        | M8        | 2,5       | 109       | 43        | 5              |
| BS-H1-M-76 FT  | 70-76               | 25        | 82        | 37        | M8        | 2,5       | 115       | 55        | 5              |
| BS-H1-M-82 FT  | 76-82               | 25        | 88        | 37        | M8        | 2,5       | 122       | 55        | 5              |
| BS-H1-M-90 FT  | 82-90               | 27        | 97        | 38        | M8        | 3         | 132       | 55        | 5              |
| BS-H1-M-100 FT | 90-100              | 27        | 107       | 38        | M8        | 3         | 143       | 55        | 5              |

#### Dimensions



## Clamp clip 2056 H-foot, 1-fold, metal pressure sleeve

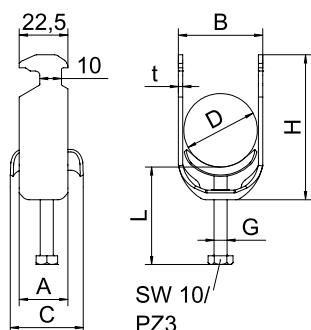
A2 2B  
16-17 H



| Type          | Clamping range D mm | Pack Piece | Weight kg/100 pc. | Item no. |
|---------------|---------------------|------------|-------------------|----------|
| BS-H1-M-12 A2 | 8-12                | 50         | 3.200             | 1186102  |
| BS-H1-M-16 A2 | 12-16               | 50         | 3.500             | 1186109  |
| BS-H1-M-22 A2 | 16-22               | 50         | 4.400             | 1186116  |
| BS-H1-M-28 A2 | 22-28               | 25         | 6.100             | 1186122  |
| BS-H1-M-34 A2 | 28-34               | 25         | 7.700             | 1186129  |
| BS-H1-M-40 A2 | 34-40               | 25         | 8.600             | 1186136  |
| BS-H1-M-46 A2 | 40-46               | 25         | 9.600             | 1186142  |
| BS-H1-M-52 A2 | 46-52               | 25         | 10.400            | 1186149  |
| BS-H1-M-58 A2 | 52-58               | 15         | 13.100            | 1186156  |
| BS-H1-M-64 A2 | 58-64               | 15         | 14.500            | 1186162  |
| BS-H1-M-70 A2 | 64-70               | 15         | 16.100            | 1186169  |
| BS-H1-M-76 A2 | 70-76               | 10         | 18.300            | 1186176  |

Clamp clip with hammerhead foot, metal pressure sleeve with rounded edges to protect the cable. For vertical and horizontal mounting of 1 single cable on a C-profile rail. For a slot width 16–17 mm. With 1-start screw thread on pressure sleeve, universal hexagonal screw head WAF10, with slot and cross recess. Suitable for assembly indoors and outdoors. We recommend the use of a counter-sleeve.

### Dimensions



| Type          | Clamping range D mm | Dim. A mm | Dim. B mm | Dim. C mm | Dim. G mm | Dim. t mm | Dim. H mm | Dim. L mm | Max. torque Nm |
|---------------|---------------------|-----------|-----------|-----------|-----------|-----------|-----------|-----------|----------------|
| BS-H1-M-12 A2 | 8-12                | 22,5      | 17        | 28        | M6        | 1,5       | 42        | 34        | 3              |
| BS-H1-M-16 A2 | 12-16               | 22,5      | 20        | 28        | M6        | 1,5       | 46        | 34        | 3              |
| BS-H1-M-22 A2 | 16-22               | 22,5      | 27        | 28        | M6        | 1,5       | 52        | 34        | 3              |
| BS-H1-M-28 A2 | 22-28               | 22,5      | 33        | 28        | M6        | 2         | 59        | 34        | 3              |
| BS-H1-M-34 A2 | 28-34               | 22,5      | 39        | 34        | M6        | 2         | 67        | 45        | 3              |
| BS-H1-M-40 A2 | 34-40               | 22,5      | 45        | 33        | M6        | 2         | 74        | 46        | 3              |
| BS-H1-M-46 A2 | 40-46               | 25        | 51        | 33        | M8        | 2         | 82        | 43        | 5              |
| BS-H1-M-52 A2 | 46-52               | 25        | 57        | 33        | M8        | 2         | 89        | 43        | 5              |
| BS-H1-M-58 A2 | 52-58               | 25        | 64        | 33        | M8        | 2,5       | 96        | 43        | 5              |
| BS-H1-M-64 A2 | 58-64               | 25        | 70        | 33        | M8        | 2,5       | 102       | 43        | 5              |
| BS-H1-M-70 A2 | 64-70               | 25        | 76        | 33        | M8        | 2,5       | 109       | 43        | 5              |
| BS-H1-M-76 A2 | 70-76               | 25        | 82        | 37        | M8        | 2,5       | 115       | 55        | 5              |

## Clamp clip 2056 H-foot, 2-fold, metal pressure sleeve

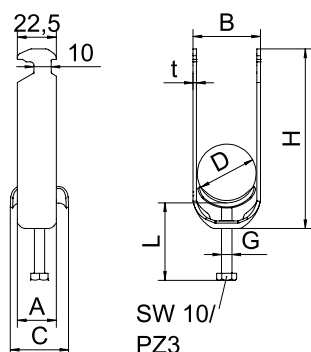
St FT  
16-17 H



| Type          | Clamping range D mm | Pack Piece | Weight kg/100 pc. | Item no. |
|---------------|---------------------|------------|-------------------|----------|
| BS-H2-M-12 FT | 8-12                | 50         | 3.980             | 1186003  |
| BS-H2-M-16 FT | 12-16               | 50         | 4.750             | 1186010  |
| BS-H2-M-22 FT | 16-22               | 50         | 6.900             | 1186017  |
| BS-H2-M-28 FT | 22-28               | 50         | 7.800             | 1186023  |

Clamp clip with hammerhead foot, metal pressure sleeve with rounded edges to protect the cable. For vertical and horizontal mounting of 2 single cables on a C-profile rail. For a slot width 16–17 mm. With 1-start screw thread on pressure sleeve, universal hexagonal screw head WAF10, with slot and cross recess. Suitable for assembly indoors and outdoors. Multiple cables should be separated by double sleeves. We recommend the use of a counter-sleeve.

### Dimensions



| Type          | Clamping range D mm | Dim. A mm | Dim. B mm | Dim. C mm | Dim. G mm | Dim. t mm | Dim. H mm | Dim. L mm | Max. torque Nm |
|---------------|---------------------|-----------|-----------|-----------|-----------|-----------|-----------|-----------|----------------|
| BS-H2-M-12 FT | 8-12                | 22,5      | 17        | 28        | M6        | 1,5       | 55        | 34        | 3              |
| BS-H2-M-16 FT | 12-16               | 22,5      | 20        | 28        | M6        | 1,5       | 63        | 34        | 3              |
| BS-H2-M-22 FT | 16-22               | 22,5      | 27        | 28        | M6        | 1,5       | 77        | 34        | 3              |
| BS-H2-M-28 FT | 22-28               | 22,5      | 33        | 28        | M6        | 2         | 59        | 34        | 3              |



### Clamp clip 2056 H-foot, 3-fold, metal pressure sleeve

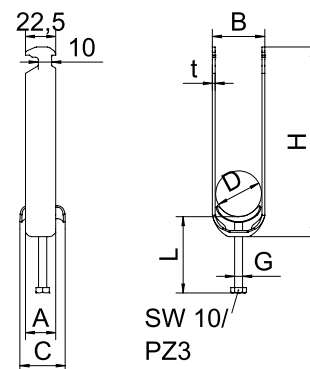
| Type          | Clamping range D mm | Pack Piece | Weight kg/100 pc. | Item no. |
|---------------|---------------------|------------|-------------------|----------|
| BS-H3-M-12 FT | 8-12                | 50         | 4.050             | 1186004  |
| BS-H3-M-16 FT | 12-16               | 50         | 5.800             | 1186012  |
| BS-H3-M-22 FT | 16-22               | 50         | 6.500             | 1186018  |
| BS-H3-M-28 FT | 22-28               | 50         | 9.500             | 1186024  |



Clamp clip with hammerhead foot, metal pressure sleeve with rounded edges to protect the cable. For vertical and horizontal mounting of 3 single cables on a C-profile rail. For a slot width 16–17 mm. With 1-start screw thread on pressure sleeve, universal hexagonal screw head WAF10, with slot and cross recess. Suitable for assembly indoors and outdoors. Multiple cables should be separated by double sleeves. We recommend the use of a counter-sleeve.

| Type          | Clamping range D mm | Dim. A mm | Dim. B mm | Dim. C mm | Dim. G mm | Dim. t mm | Dim. H mm | Dim. L mm | Max. torque Nm |
|---------------|---------------------|-----------|-----------|-----------|-----------|-----------|-----------|-----------|----------------|
| BS-H3-M-12 FT | 8-12                | 22.5      | 17        | 28        | M6        | 1.5       | 68        | 46        | 3              |
| BS-H3-M-16 FT | 12-16               | 22.5      | 20        | 28        | M8        | 1.5       | 81        | 46        | 3              |
| BS-H3-M-22 FT | 16-22               | 22.5      | 27        | 28        | M6        | 1.5       | 101       | 34        | 3              |
| BS-H3-M-28 FT | 22-28               | 22.5      | 33        | 28        | M6        | 2         | 121       | 34        | 3              |

#### Dimensions



SW 10/  
PZ3

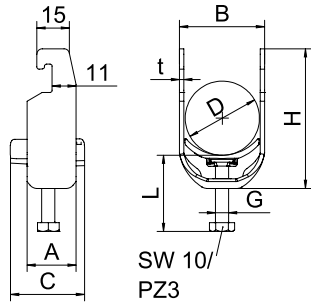
## Clamp clip 2056 U-foot, 1-fold, plastic pressure sleeve



| Type           | Clamping range D mm | Pack Piece | Weight kg/100 pc. | Item no. |
|----------------|---------------------|------------|-------------------|----------|
| BS-U1-K-12 FT  | 8-12                | 100        | 2.850             | 1186702  |
| BS-U1-K-16 FT  | 12-16               | 100        | 3.050             | 1186709  |
| BS-U1-K-22 FT  | 16-22               | 100        | 3.223             | 1186716  |
| BS-U1-K-28 FT  | 22-28               | 100        | 4.344             | 1186722  |
| BS-U1-K-34 FT  | 28-34               | 100        | 7.500             | 1186729  |
| BS-U1-K-40 FT  | 34-40               | 100        | 8.100             | 1186736  |
| BS-U1-K-46 FT  | 40-46               | 100        | 10.000            | 1186742  |
| BS-U1-K-52 FT  | 46-52               | 100        | 11.200            | 1186749  |
| BS-U1-K-58 FT  | 52-58               | 100        | 13.400            | 1186756  |
| BS-U1-K-64 FT  | 58-64               | 100        | 14.300            | 1186762  |
| BS-U1-K-70 FT  | 64-70               | 50         | 15.250            | 1186769  |
| BS-U1-K-76 FT  | 70-76               | 25         | 20.600            | 1186776  |
| BS-U1-K-82 FT  | 76-82               | 25         | 22.000            | 1186782  |
| BS-U1-K-90 FT  | 82-90               | 25         | 26.200            | 1186789  |
| BS-U1-K-100 FT | 90-100              | 25         | 30.000            | 1186797  |

Clamp clip with U-foot, plastic pressure sleeve made of polypropylene. For vertical and horizontal mounting of 1 single cable on a C-profile rail. For slot width 18–22 mm. With 1-start screw thread on pressure sleeve, universal hexagonal screw head WAF10, with slot and cross recess. Suitable for assembly indoors and outdoors. We recommend the use of a counter-sleeve.

### Dimensions



| Type           | Clamping range D mm | Dim. A mm | Dim. B mm | Dim. C mm | Dim. G mm | Dim. t mm | Dim. H mm | Dim. L mm | Max. torque Nm |
|----------------|---------------------|-----------|-----------|-----------|-----------|-----------|-----------|-----------|----------------|
| BS-U1-K-12 FT  | 8-12                | 22.5      | 17        | 34        | M6        | 1.5       | 40        | 35        | 3              |
| BS-U1-K-16 FT  | 12-16               | 22.5      | 20        | 34        | M6        | 1.5       | 44        | 35        | 3              |
| BS-U1-K-22 FT  | 16-22               | 22.5      | 27        | 34        | M6        | 1.5       | 51        | 35        | 3              |
| BS-U1-K-28 FT  | 22-28               | 22.5      | 33        | 34        | M6        | 2         | 57        | 35        | 3              |
| BS-U1-K-34 FT  | 28-34               | 22.5      | 39        | 34        | M6        | 2         | 64        | 35        | 3              |
| BS-U1-K-40 FT  | 34-40               | 22.5      | 45        | 34        | M6        | 2         | 70        | 35        | 3              |
| BS-U1-K-46 FT  | 40-46               | 25        | 51        | 40        | M8        | 2         | 76        | 45        | 5              |
| BS-U1-K-52 FT  | 46-52               | 25        | 57        | 40        | M6        | 2         | 83        | 32        | 5              |
| BS-U1-K-58 FT  | 52-58               | 25        | 64        | 40        | M8        | 2.5       | 89        | 45        | 5              |
| BS-U1-K-64 FT  | 58-64               | 25        | 70        | 40        | M8        | 2.5       | 95        | 45        | 5              |
| BS-U1-K-70 FT  | 64-70               | 25        | 79        | 40        | M8        | 2.5       | 101       | 45        | 5              |
| BS-U1-K-76 FT  | 70-76               | 25        | 82        | 40        | M8        | 2.5       | 108       | 45        | 5              |
| BS-U1-K-82 FT  | 76-82               | 25        | 88        | 40        | M8        | 2.5       | 114       | 45        | 5              |
| BS-U1-K-90 FT  | 82-90               | 27        | 97        | 40        | M8        | 3         | 124       | 45        | 5              |
| BS-U1-K-100 FT | 90-100              | 27        | 107       | 40        | M8        | 3         | 134       | 45        | 5              |



### Clamp clip 2056 U-foot, 1-fold, plastic pressure sleeve

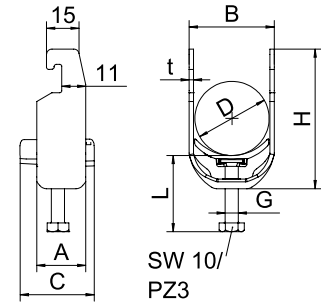
| Type          | Clamping range D mm | Pack Piece | Weight kg/100 pc. | Item no. |
|---------------|---------------------|------------|-------------------|----------|
| BS-U1-K-12 A2 | 8-12                | 50         | 3.000             | 1186802  |
| BS-U1-K-16 A2 | 12-16               | 50         | 3.200             | 1186809  |
| BS-U1-K-22 A2 | 16-22               | 50         | 3.800             | 1186816  |
| BS-U1-K-28 A2 | 22-28               | 50         | 5.350             | 1186822  |
| BS-U1-K-34 A2 | 28-34               | 50         | 7.200             | 1186829  |
| BS-U1-K-40 A2 | 34-40               | 25         | 8.100             | 1186836  |
| BS-U1-K-46 A2 | 40-46               | 25         | 9.900             | 1186842  |
| BS-U1-K-52 A2 | 46-52               | 25         | 11.200            | 1186849  |
| BS-U1-K-58 A2 | 52-58               | 25         | 13.400            | 1186856  |
| BS-U1-K-64 A2 | 58-64               | 15         | 14.300            | 1186862  |
| BS-U1-K-70 A2 | 64-70               | 15         | 20.500            | 1186869  |
| BS-U1-K-76 A2 | 70-76               | 10         | 19.100            | 1186876  |



Clamp clip with U-foot, plastic pressure sleeve made of polypropylene. For vertical and horizontal mounting of 1 single cable on a C-profile rail. For slot width 18–22 mm. With 1-start screw thread on pressure sleeve, universal hexagonal screw head WAF10, with slot and cross recess. Suitable for assembly indoors and outdoors. We recommend the use of a counter-sleeve.

| Type          | Clamping range D mm | Dim. A mm | Dim. B mm | Dim. C mm | Dim. G mm | Dim. t mm | Dim. H mm | Dim. L mm | Max. torque Nm |
|---------------|---------------------|-----------|-----------|-----------|-----------|-----------|-----------|-----------|----------------|
| BS-U1-K-12 A2 | 8-12                | 22.5      | 17        | 34        | M6        | 1.5       | 40        | 35        | 3              |
| BS-U1-K-16 A2 | 12-16               | 22.5      | 20        | 34        | M6        | 1.5       | 44        | 35        | 3              |
| BS-U1-K-22 A2 | 16-22               | 22.5      | 27        | 34        | M6        | 1.5       | 51        | 35        | 3              |
| BS-U1-K-28 A2 | 22-28               | 22.5      | 33        | 34        | M6        | 2         | 57        | 35        | 3              |
| BS-U1-K-34 A2 | 28-34               | 22.5      | 39        | 34        | M6        | 2         | 64        | 35        | 3              |
| BS-U1-K-40 A2 | 34-40               | 22.5      | 45        | 34        | M6        | 2         | 70        | 35        | 3              |
| BS-U1-K-46 A2 | 40-46               | 25        | 51        | 40        | M8        | 2         | 76        | 45        | 5              |
| BS-U1-K-52 A2 | 46-52               | 25        | 57        | 40        | M8        | 2         | 83        | 32        | 5              |
| BS-U1-K-58 A2 | 52-58               | 25        | 64        | 40        | M8        | 2.5       | 89        | 45        | 5              |
| BS-U1-K-64 A2 | 58-64               | 25        | 70        | 40        | M8        | 2.5       | 95        | 45        | 5              |
| BS-U1-K-70 A2 | 64-70               | 25        | 76        | 40        | M8        | 2.5       | 101       | 45        | 5              |
| BS-U1-K-76 A2 | 70-76               | 25        | 82        | 40        | M8        | 2.5       | 108       | 45        | 5              |

#### Dimensions



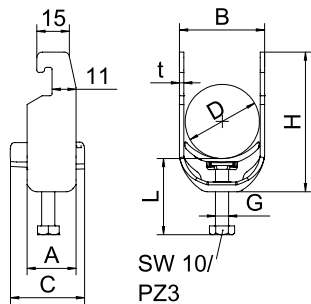
### Clamp clip 2056 U-foot, 1-fold, plastic pressure sleeve



| Type           | Clamping range D mm | Pack Piece | Weight kg/100 pc. | Item no. |
|----------------|---------------------|------------|-------------------|----------|
| BS-U1-K-12 ALU | 8-12                | 50         | 1.100             | 1186902  |
| BS-U1-K-16 ALU | 12-16               | 50         | 1.200             | 1186909  |
| BS-U1-K-22 ALU | 16-22               | 50         | 1.350             | 1186916  |
| BS-U1-K-28 ALU | 22-28               | 50         | 1.950             | 1186922  |
| BS-U1-K-34 ALU | 28-34               | 50         | 2.550             | 1186929  |
| BS-U1-K-40 ALU | 34-40               | 50         | 2.800             | 1186936  |
| BS-U1-K-46 ALU | 40-46               | 50         | 3.600             | 1186942  |
| BS-U1-K-52 ALU | 46-52               | 50         | 3.950             | 1186949  |
| BS-U1-K-58 ALU | 52-58               | 50         | 4.900             | 1186956  |
| BS-U1-K-64 ALU | 58-64               | 50         | 5.250             | 1186962  |
| BS-U1-K-70 ALU | 64-70               | 50         | 5.600             | 1186969  |
| BS-U1-K-76 ALU | 70-76               | 50         | 7.050             | 1186976  |

Clamp clip with U-foot, plastic pressure sleeve made of polypropylene. For vertical and horizontal mounting of 1 single cable on a C-profile rail. For slot width 18–22 mm. With 1-start screw thread on pressure sleeve, universal hexagonal screw head WAF10, with slot and cross recess. Suitable for assembly indoors and outdoors. We recommend the use of a counter-sleeve.

#### Dimensions



| Type           | Clamping range D mm | Dim. A mm | Dim. B mm | Dim. C mm | Dim. G mm | Dim. t mm | Dim. H mm | Dim. L mm | Max. torque Nm |
|----------------|---------------------|-----------|-----------|-----------|-----------|-----------|-----------|-----------|----------------|
| BS-U1-K-12 ALU | 8-12                | 22.5      | 17        | 34        | M6        | 1.5       | 40        | 35        | 2              |
| BS-U1-K-16 ALU | 12-16               | 22.5      | 20        | 34        | M6        | 1.5       | 44        | 35        | 2              |
| BS-U1-K-22 ALU | 16-22               | 22.5      | 27        | 34        | M6        | 1.5       | 51        | 35        | 2              |
| BS-U1-K-28 ALU | 22-28               | 22.5      | 33        | 34        | M6        | 2         | 57        | 35        | 2              |
| BS-U1-K-34 ALU | 28-34               | 22.5      | 39        | 34        | M6        | 2         | 64        | 35        | 2              |
| BS-U1-K-40 ALU | 34-40               | 22.5      | 45        | 34        | M6        | 2         | 70        | 35        | 2              |
| BS-U1-K-46 ALU | 40-46               | 25        | 51        | 40        | M8        | 2         | 76        | 45        | 2              |
| BS-U1-K-52 ALU | 46-52               | 25        | 57        | 40        | M8        | 2         | 83        | 32        | 2              |
| BS-U1-K-58 ALU | 52-58               | 25        | 64        | 89        | M8        | 2.5       | 89        | 45        | 2              |
| BS-U1-K-64 ALU | 58-64               | 25        | 70        | 40        | M8        | 2.5       | 95        | 45        | 2              |
| BS-U1-K-70 ALU | 64-70               | 25        | 76        | 101       | M8        | 2.5       | 101       | 45        | 2              |
| BS-U1-K-76 ALU | 70-76               | 25        | 82        | 40        | M8        | 2.5       | 108       | 45        | 2              |

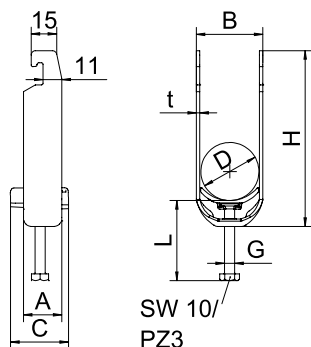
### Clamp clip 2056 U-foot, 2-fold, plastic pressure sleeve



| Type          | Clamping range D mm | Pack Piece | Weight kg/100 pc. | Item no. |
|---------------|---------------------|------------|-------------------|----------|
| BS-U2-K-12 FT | 8-12                | 50         | 3.150             | 1186703  |
| BS-U2-K-16 FT | 12-16               | 50         | 3.600             | 1186710  |
| BS-U2-K-22 FT | 16-22               | 50         | 4.950             | 1186717  |
| BS-U2-K-28 FT | 22-28               | 50         | 6.940             | 1186723  |
| BS-U2-K-34 FT | 28-34               | 50         | 9.500             | 1186730  |
| BS-U2-K-40 FT | 34-40               | 50         | 11.350            | 1186737  |
| BS-U2-K-46 FT | 40-46               | 50         | 11.350            | 1186743  |
| BS-U2-K-52 FT | 46-52               | 50         | 15.050            | 1186750  |
| BS-U2-K-58 FT | 52-58               | 50         | 19.800            | 1186757  |

Clamp clip with U-foot, plastic pressure sleeve made of polypropylene. For vertical and horizontal mounting of 2 single cables on a C-profile rail. For slot width 18–22 mm. With 1-start screw thread on pressure sleeve, universal hexagonal screw head WAF10, with slot and cross recess. Suitable for assembly indoors and outdoors. Multiple cables should be separated by double sleeves. We recommend the use of a counter-sleeve.

#### Dimensions



| Type          | Clamping range D mm | Dim. A mm | Dim. B mm | Dim. C mm | Dim. G mm | Dim. t mm | Dim. H mm | Dim. L mm | Max. torque Nm |
|---------------|---------------------|-----------|-----------|-----------|-----------|-----------|-----------|-----------|----------------|
| BS-U2-K-12 FT | 8-12                | 22.5      | 17        | 34        | M6        | 1.5       | 57        | 35        | 3              |
| BS-U2-K-16 FT | 12-16               | 22.5      | 20        | 34        | M6        | 1.5       | 65        | 35        | 3              |
| BS-U2-K-22 FT | 16-22               | 22.5      | 27        | 34        | M6        | 1.5       | 78        | 35        | 3              |
| BS-U2-K-28 FT | 22-28               | 22.5      | 33        | 34        | M6        | 2         | 90        | 47        | 3              |
| BS-U2-K-34 FT | 28-34               | 22.5      | 39        | 34        | M6        | 2         | 103       | 47        | 3              |
| BS-U2-K-40 FT | 34-40               | 22.5      | 45        | 34        | M6        | 2         | 116       | 47        | 3              |
| BS-U2-K-46 FT | 40-46               | 25        | 51        | 40        | M8        | 2         | 128       | 45        | 5              |
| BS-U2-K-52 FT | 46-52               | 25        | 57        | 40        | M8        | 2         | 141       | 32        | 5              |
| BS-U2-K-58 FT | 52-58               | 25        | 64        | 40        | M8        | 2.5       | 153       | 45        | 5              |





### Clamp clip 2056 U-foot, 3-fold, plastic pressure sleeve

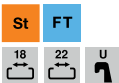
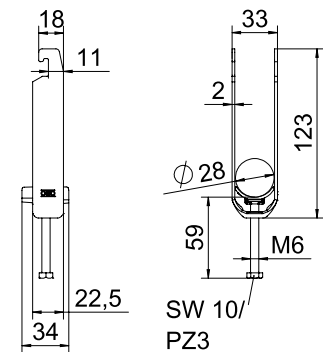
| Type          | Clamping range D mm | Pack Piece | Weight kg/100 pc. | Item no. |
|---------------|---------------------|------------|-------------------|----------|
| BS-U3-K-12 FT | 8-12                | 50         | 4.750             | 1186704  |
| BS-U3-K-16 FT | 12-16               | 50         | 4.850             | 1186711  |
| BS-U3-K-22 FT | 16-22               | 50         | 6.600             | 1186718  |
| BS-U3-K-28 FT | 22-28               | 50         | 10.500            | 1186724  |
| BS-U3-K-34 FT | 28-34               | 50         | 13.250            | 1186731  |
| BS-U3-K-40 FT | 34-40               | 50         | 14.400            | 1186738  |
| BS-U3-K-46 FT | 40-46               | 50         | 18.950            | 1186744  |

Clamp clip with U-foot, plastic pressure sleeve made of polypropylene. For vertical and horizontal mounting of 3 single cables on a C-profile rail. For slot width 18–22 mm. With 1-start screw thread on pressure sleeve, universal hexagonal screw head WAF10, with slot and cross recess. Suitable for assembly indoors and outdoors. Multiple cables should be separated by double sleeves. We recommend the use of a counter-sleeve.



| Type          | Clamping range D mm | Dim. A mm | Dim. B mm | Dim. C mm | Dim. G mm | Dim. t mm | Dim. H mm | Dim. L mm | Max. torque Nm |
|---------------|---------------------|-----------|-----------|-----------|-----------|-----------|-----------|-----------|----------------|
| BS-U3-K-12 FT | 8-12                | 22.5      | 17        | 34        | M6        | 1.5       | 74        | 47        | 3              |
| BS-U3-K-16 FT | 12-16               | 22.5      | 20        | 34        | M6        | 1.5       | 84        | 47        | 3              |
| BS-U3-K-22 FT | 16-22               | 22.5      | 27        | 34        | M6        | 1.5       | 105       | 47        | 3              |
| BS-U3-K-28 FT | 22-28               | 22.5      | 33        | 34        | M6        | 2         | 123       | 59        | 3              |
| BS-U3-K-34 FT | 28-34               | 22.5      | 39        | 34        | M6        | 2         | 142       | 59        | 3              |
| BS-U3-K-40 FT | 34-40               | 22.5      | 45        | 34        | M6        | 2         | 161       | 59        | 3              |
| BS-U3-K-46 FT | 40-46               | 25        | 51        | 40        | M8        | 2         | 179       | 72        | 5              |

Dimensions



### Clamp clip 2056 U-foot, 1-fold, metal pressure sleeve

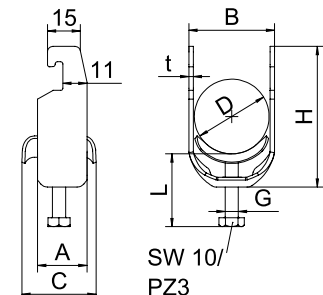
| Type          | Clamping range D mm | Pack Piece | Weight kg/100 pc. | Item no. |
|---------------|---------------------|------------|-------------------|----------|
| BS-U1-M-12 FT | 8-12                | 100        | 3.300             | 1186502  |
| BS-U1-M-16 FT | 12-16               | 100        | 3.520             | 1186509  |
| BS-U1-M-22 FT | 16-22               | 100        | 3.960             | 1186516  |
| BS-U1-M-28 FT | 22-28               | 100        | 5.890             | 1186522  |
| BS-U1-M-34 FT | 28-34               | 100        | 7.650             | 1186529  |
| BS-U1-M-40 FT | 34-40               | 100        | 8.360             | 1186536  |
| BS-U1-M-46 FT | 40-46               | 100        | 10.890            | 1186542  |
| BS-U1-M-52 FT | 46-52               | 100        | 11.660            | 1186549  |
| BS-U1-M-58 FT | 52-58               | 100        | 14.740            | 1186556  |
| BS-U1-M-64 FT | 58-64               | 100        | 15.730            | 1186562  |
| BS-U1-M-70 FT | 64-70               | 50         | 18.200            | 1186569  |
| BS-U1-M-76 FT | 70-76               | 25         | 20.600            | 1186576  |

Clamp clip with U-foot, metal pressure sleeve with rounded edges to protect the cable. For vertical and horizontal mounting of 1 single cable on a C-profile rail. For slot width 18–22 mm. With 1-start screw thread on pressure sleeve, universal hexagonal screw head WAF10, with slot and cross recess. Suitable for assembly indoors and outdoors. We recommend the use of a counter-sleeve.



| Type          | Clamping range D mm | Dim. A mm | Dim. B mm | Dim. C mm | Dim. G mm | Dim. t mm | Dim. H mm | Dim. L mm | Max. torque Nm |
|---------------|---------------------|-----------|-----------|-----------|-----------|-----------|-----------|-----------|----------------|
| BS-U1-M-12 FT | 8-12                | 22.5      | 17        | 28        | M6        | 1.5       | 40        | 34        | 3              |
| BS-U1-M-16 FT | 12-16               | 22.5      | 20        | 28        | M6        | 1.5       | 44        | 34        | 3              |
| BS-U1-M-22 FT | 16-22               | 22.5      | 27        | 18        | M6        | 1.5       | 51        | 34        | 3              |
| BS-U1-M-28 FT | 22-28               | 22.5      | 33        | 28        | M6        | 2         | 57        | 34        | 3              |
| BS-U1-M-34 FT | 28-34               | 22.5      | 39        | 34        | M6        | 2         | 64        | 33        | 3              |
| BS-U1-M-40 FT | 34-40               | 22.5      | 45        | 33        | M6        | 2         | 70        | 34        | 3              |
| BS-U1-M-46 FT | 40-46               | 25        | 51        | 33        | M8        | 2         | 76        | 43        | 5              |
| BS-U1-M-52 FT | 46-52               | 25        | 57        | 33        | M8        | 2         | 83        | 43        | 5              |
| BS-U1-M-58 FT | 52-58               | 25        | 64        | 33        | M8        | 2.5       | 89        | 43        | 5              |
| BS-U1-M-64 FT | 58-64               | 25        | 70        | 33        | M8        | 2.5       | 95        | 43        | 5              |
| BS-U1-M-70 FT | 64-70               | 25        | 76        | 33        | M8        | 2.5       | 101       | 43        | 5              |
| BS-U1-M-76 FT | 70-76               | 25        | 82        | 37        | M8        | 2.5       | 108       | 43        | 5              |

Dimensions



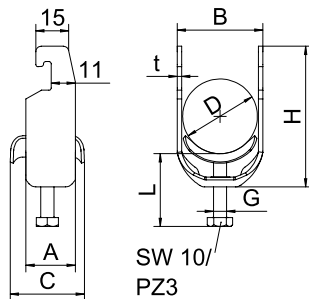
## Clamp clip 2056 U-foot, 1-fold, metal pressure sleeve



| Type          | Clamping range D mm | Pack Piece | Weight kg/100 pc. | Item no. |
|---------------|---------------------|------------|-------------------|----------|
| BS-U1-M-12 A4 | 8-12                | 100        | 3.300             | 1186602  |
| BS-U1-M-16 A4 | 12-16               | 100        | 3.520             | 1186609  |
| BS-U1-M-22 A4 | 16-22               | 100        | 3.590             | 1186616  |
| BS-U1-M-28 A4 | 22-28               | 100        | 4.930             | 1186622  |
| BS-U1-M-34 A4 | 28-34               | 100        | 6.656             | 1186629  |
| BS-U1-M-40 A4 | 34-40               | 100        | 8.360             | 1186636  |
| BS-U1-M-46 A4 | 40-46               | 100        | 10.890            | 1186642  |
| BS-U1-M-52 A4 | 46-52               | 100        | 11.660            | 1186649  |
| BS-U1-M-58 A4 | 52-58               | 100        | 14.740            | 1186656  |
| BS-U1-M-64 A4 | 58-64               | 100        | 15.730            | 1186662  |
| BS-U1-M-70 A4 | 64-70               | 50         | 18.200            | 1186669  |
| BS-U1-M-76 A4 | 70-76               | 25         | 20.600            | 1186676  |

Clamp clip with U-foot, metal pressure sleeve with rounded edges to protect the cable. For vertical and horizontal mounting of 1 single cable on a C-profile rail. For slot width 18–22 mm. With 1-start screw thread on pressure sleeve, universal hexagonal screw head WAF10, with slot and cross recess. Suitable for assembly indoors and outdoors. We recommend the use of a counter-sleeve.

### Dimensions



| Type          | Clamping range D mm | Dim. A mm | Dim. B mm | Dim. C mm | Dim. G mm | Dim. t mm | Dim. H mm | Dim. L mm | Max. torque Nm |
|---------------|---------------------|-----------|-----------|-----------|-----------|-----------|-----------|-----------|----------------|
| BS-U1-M-12 A4 | 8-12                | 22.5      | 17        | 28        | M6        | 1.5       | 40        | 34        | 3              |
| BS-U1-M-16 A4 | 12-16               | 22.5      | 20        | 28        | M6        | 1.5       | 44        | 34        | 3              |
| BS-U1-M-22 A4 | 16-22               | 22.5      | 27        | 28        | M6        | 1.5       | 51        | 34        | 3              |
| BS-U1-M-28 A4 | 22-28               | 28        | 33        | 28        | M6        | 2         | 57        | 34        | 3              |
| BS-U1-M-34 A4 | 28-34               | 22.5      | 39        | 34        | M6        | 2         | 64        | 33        | 3              |
| BS-U1-M-40 A4 | 34-40               | 22.5      | 45        | 33        | M6        | 2         | 70        | 34        | 3              |
| BS-U1-M-46 A4 | 40-46               | 25        | 51        | 33        | M8        | 2         | 76        | 43        | 5              |
| BS-U1-M-52 A4 | 46-52               | 25        | 57        | 33        | M8        | 2         | 83        | 43        | 5              |
| BS-U1-M-58 A4 | 52-58               | 25        | 64        | 33        | M8        | 2.5       | 89        | 43        | 5              |
| BS-U1-M-64 A4 | 58-64               | 25        | 70        | 33        | M8        | 2.5       | 95        | 43        | 5              |
| BS-U1-M-70 A4 | 64-70               | 25        | 76        | 33        | M8        | 2.5       | 101       | 43        | 5              |
| BS-U1-M-76 A4 | 70-76               | 25        | 82        | 37        | M8        | 2.5       | 108       | 43        | 5              |



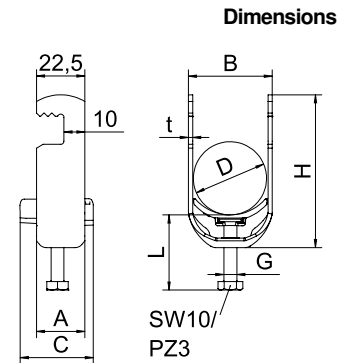
### Clamp clip 2056 F-foot, 1-fold, plastic pressure sleeve

| Type          | Clamping range D mm | Pack Piece | Weight kg/100 pc. | Item no. |
|---------------|---------------------|------------|-------------------|----------|
| BS-F1-K-12 FT | 8-12                | 100        | 3.700             | 1187602  |
| BS-F1-K-16 FT | 12-16               | 100        | 3.900             | 1187608  |
| BS-F1-K-22 FT | 16-22               | 100        | 4.500             | 1187614  |
| BS-F1-K-28 FT | 22-28               | 100        | 6.000             | 1187620  |
| BS-F1-K-34 FT | 28-34               | 100        | 8.740             | 1187626  |
| BS-F1-K-40 FT | 34-40               | 100        | 8.500             | 1187632  |
| BS-F1-K-46 FT | 40-46               | 100        | 10.600            | 1187638  |
| BS-F1-K-52 FT | 46-52               | 100        | 11.700            | 1187644  |
| BS-F1-K-58 FT | 52-58               | 50         | 13.050            | 1187650  |
| BS-F1-K-64 FT | 58-64               | 50         | 14.800            | 1187656  |



Clamp clip with F-foot, plastic pressure sleeve made of polypropylene. For vertical and horizontal mounting of 1 single cable on flat bars. With 1-start screw thread on pressure sleeve, universal hexagonal screw head WAF10, with slot and cross recess. Suitable for assembly indoors and outdoors. We recommend the use of a counter-sleeve.

| Type          | Clamping range D mm | Dim. A mm | Dim. B mm | Dim. C mm | Dim. G mm | Dim. t mm | Dim. H mm | Dim. L mm | Max. torque Nm |
|---------------|---------------------|-----------|-----------|-----------|-----------|-----------|-----------|-----------|----------------|
| BS-F1-K-12 FT | 8-12                | 22.5      | 17        | 34        | M6        | 1.5       | 47        | 35        | 3              |
| BS-F1-K-16 FT | 12-16               | 22.5      | 20        | 34        | M6        | 1.5       | 51        | 35        | 3              |
| BS-F1-K-22 FT | 16-22               | 22.5      | 27        | 34        | M6        | 1.5       | 58        | 35        | 3              |
| BS-F1-K-28 FT | 22-28               | 22.5      | 33        | 34        | M6        | 2         | 64        | 35        | 3              |
| BS-F1-K-34 FT | 28-34               | 22.5      | 39        | 34        | M6        | 2         | 71        | 35        | 3              |
| BS-F1-K-40 FT | 34-40               | 22.5      | 45        | 34        | M6        | 2         | 77        | 35        | 3              |
| BS-F1-K-46 FT | 40-46               | 25        | 51        | 40        | M8        | 2         | 83        | 45        | 5              |
| BS-F1-K-52 FT | 46-52               | 25        | 57        | 40        | M8        | 2         | 90        | 35        | 5              |
| BS-F1-K-58 FT | 52-58               | 25        | 64        | 40        | M8        | 2.5       | 96        | 45        | 5              |
| BS-F1-K-64 FT | 58-64               | 25        | 70        | 40        | M8        | 2.5       | 102       | 45        | 5              |



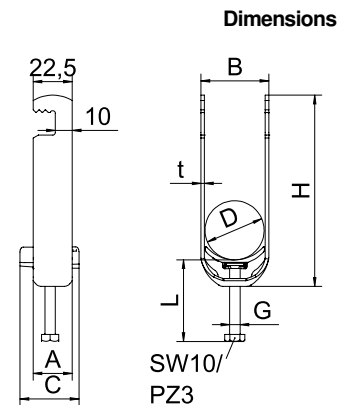
### Clamp clip 2056 F-foot, 2-fold, plastic pressure sleeve

| Type          | Clamping range D mm | Pack Piece | Weight kg/100 pc. | Item no. |
|---------------|---------------------|------------|-------------------|----------|
| BS-F2-K-12 FT | 8-12                | 50         | 4.250             | 1187603  |
| BS-F2-K-16 FT | 12-16               | 50         | 4.550             | 1187609  |
| BS-F2-K-22 FT | 16-22               | 50         | 5.200             | 1187615  |
| BS-F2-K-28 FT | 22-28               | 50         | 7.900             | 1187621  |
| BS-F2-K-34 FT | 28-34               | 50         | 9.900             | 1187627  |
| BS-F2-K-40 FT | 34-40               | 50         | 10.672            | 1187633  |
| BS-F2-K-46 FT | 40-46               | 50         | 12.050            | 1187639  |
| BS-F2-K-52 FT | 46-52               | 50         | 16.600            | 1187645  |



Clamp clip with F-foot, plastic pressure sleeve made of polypropylene. For vertical and horizontal mounting of 2 single cables on flat bars. With 1-start screw thread on pressure sleeve, universal hexagonal screw head WAF10, with slot and cross recess. Suitable for assembly indoors and outdoors. Multiple cables should be separated by double sleeves. We recommend the use of a counter-sleeve.

| Type          | Clamping range D mm | Dim. A mm | Dim. B mm | Dim. C mm | Dim. G mm | Dim. t mm | Dim. H mm | Dim. L mm | Max. torque Nm |
|---------------|---------------------|-----------|-----------|-----------|-----------|-----------|-----------|-----------|----------------|
| BS-F2-K-12 FT | 8-12                | 22.5      | 17        | 34        | M6        | 1.5       | 64        | 34        | 3              |
| BS-F2-K-16 FT | 12-16               | 22.5      | 20        | 34        | M6        | 1.5       | 72        | 35        | 3              |
| BS-F2-K-22 FT | 16-22               | 22.5      | 27        | 34        | M6        | 1.5       | 85        | 45        | 3              |
| BS-F2-K-28 FT | 22-28               | 22.5      | 33        | 34        | M6        | 2         | 97        | 47        | 3              |
| BS-F2-K-34 FT | 28-34               | 22.5      | 39        | 34        | M6        | 2         | 110       | 47        | 3              |
| BS-F2-K-40 FT | 34-40               | 22.5      | 45        | 34        | M6        | 2         | 123       | 47        | 3              |
| BS-F2-K-46 FT | 40-46               | 25        | 51        | 40        | M8        | 2         | 135       | 45        | 5              |
| BS-F2-K-52 FT | 46-52               | 25        | 57        | 40        | M8        | 2         | 148       | 45        | 5              |



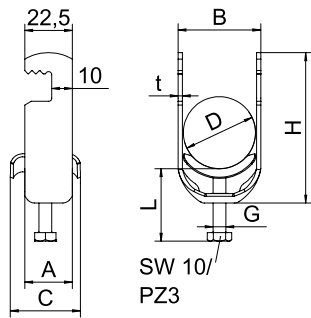
Clamp clip 2056 F-foot, 1-fold, metal pressure sleeve



| Type          | Clamping range D mm | Pack Piece | Weight kg/100 pc. | Item no. |
|---------------|---------------------|------------|-------------------|----------|
| BS-F1-M-12 FT | 8-12                | 100        | 3.700             | 1187402  |
| BS-F1-M-16 FT | 12-16               | 100        | 3.900             | 1187408  |
| BS-F1-M-22 FT | 16-22               | 100        | 4.550             | 1187414  |
| BS-F1-M-28 FT | 22-28               | 100        | 6.000             | 1187420  |
| BS-F1-M-34 FT | 28-34               | 100        | 8.000             | 1187426  |

Clamp clip with F-foot, metal pressure sleeve with rounded edges to protect the cable. For vertical and horizontal mounting of 1 single cable on flat bars. With 1-start screw thread on pressure sleeve, universal hexagonal screw head WAF10, with slot and cross recess. Suitable for assembly indoors and outdoors. We recommend the use of a counter-sleeve.

Dimensions



| Type          | Clamping range D mm | Dim. A mm | Dim. B mm | Dim. C mm | Dim. G mm | Dim. t mm | Dim. H mm | Dim. L mm | Max. torque Nm |
|---------------|---------------------|-----------|-----------|-----------|-----------|-----------|-----------|-----------|----------------|
| BS-F1-M-12 FT | 8-12                | 22.5      | 17        | 28        | M6        | 1.5       | 47        | 34        | 3              |
| BS-F1-M-16 FT | 12-16               | 22.5      | 20        | 28        | M6        | 1.5       | 51        | 34        | 3              |
| BS-F1-M-22 FT | 16-22               | 22.5      | 27        | 28        | M6        | 1.5       | 58        | 34        | 3              |
| BS-F1-M-28 FT | 22-28               | 22.5      | 33        | 28        | M6        | 2         | 64        | 34        | 3              |
| BS-F1-M-34 FT | 28-34               | 22.5      | 39        | 34        | M6        | 2         | 71        | 34        | 3              |

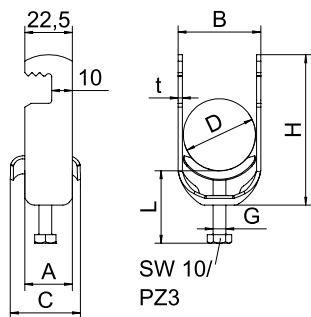
Clamp clip 2056 F-foot, 1-fold, metal pressure sleeve



| Type          | Clamping range D mm | Pack Piece | Weight kg/100 pc. | Item no. |
|---------------|---------------------|------------|-------------------|----------|
| BS-F1-M-28 A2 | 22-28               | 100        | 6.000             | 1187520  |
| BS-F1-M-34 A2 | 28-34               | 100        | 8.000             | 1187526  |
| BS-F1-M-40 A2 | 34-40               | 100        | 8.500             | 1187532  |

Clamp clip with F-foot, metal pressure sleeve with rounded edges to protect the cable. For vertical and horizontal mounting of 1 single cable on flat bars. With 1-start screw thread on pressure sleeve, universal hexagonal screw head WAF10, with slot and cross recess. Suitable for assembly indoors and outdoors. We recommend the use of a counter-sleeve.

Dimensions



| Type          | Clamping range D mm | Dim. A mm | Dim. B mm | Dim. C mm | Dim. G mm | Dim. t mm | Dim. H mm | Dim. L mm | Max. torque Nm |
|---------------|---------------------|-----------|-----------|-----------|-----------|-----------|-----------|-----------|----------------|
| BS-F1-M-28 A2 | 22-28               | 22.5      | 33        | 28        | M6        | 2         | 64        | 34        | 3              |
| BS-F1-M-34 A2 | 28-34               | 22.5      | 39        | 33        | M6        | 2         | 71        | 34        | 3              |
| BS-F1-M-40 A2 | 34-40               | 22.5      | 45        | 33        | M6        | 2         | 77        | 34        | 3              |



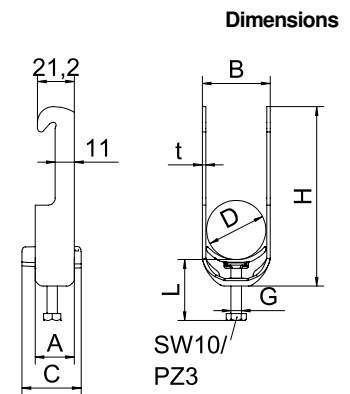
### Clamp clip 2056 W-foot, 1-fold, plastic pressure sleeve

| Type          | Clamping range D mm | Pack Piece | Weight kg/100 pc. | Item no. |
|---------------|---------------------|------------|-------------------|----------|
| BS-W1-K-12 FT | 8-12                | 100        | 4.450             | 1187702  |
| BS-W1-K-16 FT | 12-16               | 100        | 4.890             | 1187708  |
| BS-W1-K-22 FT | 16-22               | 100        | 5.700             | 1187714  |
| BS-W1-K-28 FT | 22-28               | 100        | 7.800             | 1187720  |
| BS-W1-K-34 FT | 28-34               | 100        | 9.400             | 1187726  |
| BS-W1-K-40 FT | 34-40               | 100        | 10.000            | 1187732  |
| BS-W1-K-46 FT | 40-46               | 100        | 12.800            | 1187738  |
| BS-W1-K-52 FT | 46-52               | 100        | 13.600            | 1187744  |
| BS-W1-K-58 FT | 52-58               | 50         | 17.100            | 1187750  |
| BS-W1-K-64 FT | 58-64               | 50         | 18.600            | 1187756  |
| BS-W1-K-70 FT | 64-70               | 50         | 18.500            | 1187762  |



Clamp clip with W-foot, plastic pressure sleeve made of polypropylene. For vertical and horizontal mounting of 1 single cable on angle irons < 40 mm. With 1-start screw thread on pressure sleeve, universal hexagonal screw head WAF10, with slot and cross recess. Suitable for assembly indoors and outdoors. We recommend the use of a counter-sleeve.

| Type          | Clamping range D mm | Dim. A mm | Dim. B mm | Dim. C mm | Dim. G mm | Dim. t mm | Dim. H mm | Dim. L mm | Max. torque Nm |
|---------------|---------------------|-----------|-----------|-----------|-----------|-----------|-----------|-----------|----------------|
| BS-W1-K-12 FT | 8-12                | 22.5      | 17        | 34        | M6        | 1.5       | 80        | 35        | 3              |
| BS-W1-K-16 FT | 12-16               | 22.5      | 20        | 34        | M6        | 1.5       | 84        | 35        | 3              |
| BS-W1-K-22 FT | 16-22               | 22.5      | 27        | 34        | M6        | 1.5       | 91        | 35        | 3              |
| BS-W1-K-28 FT | 22-28               | 22.5      | 33        | 34        | M6        | 2         | 97        | 35        | 3              |
| BS-W1-K-34 FT | 28-34               | 22.5      | 39        | 34        | M6        | 2         | 103       | 35        | 3              |
| BS-W1-K-40 FT | 34-40               | 22.5      | 45        | 34        | M6        | 2         | 109       | 35        | 3              |
| BS-W1-K-46 FT | 40-46               | 25        | 51        | 40        | M8        | 2         | 115       | 45        | 5              |
| BS-W1-K-52 FT | 46-52               | 25        | 57        | 40        | M8        | 2         | 122       | 45        | 5              |
| BS-W1-K-58 FT | 52-58               | 25        | 64        | 40        | M8        | 2.5       | 128       | 45        | 5              |
| BS-W1-K-64 FT | 58-64               | 25        | 70        | 40        | M8        | 2.5       | 134       | 45        | 5              |
| BS-W1-K-70 FT | 64-70               | 25        | 76        | 40        | M8        | 2.5       | 140       | 46        | 5              |



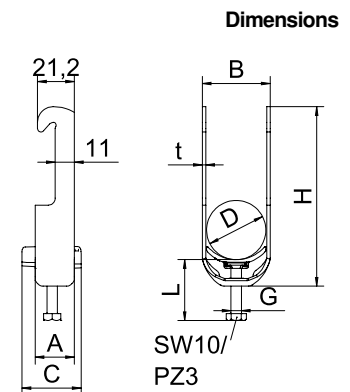
### Clamp clip 2056 W-foot, 1-fold, plastic pressure sleeve

| Type          | Clamping range D mm | Pack Piece | Weight kg/100 pc. | Item no. |
|---------------|---------------------|------------|-------------------|----------|
| BS-W1-K-22 A2 | 16-22               | 50         | 5.700             | 1187814  |
| BS-W1-K-28 A2 | 22-28               | 50         | 7.800             | 1187820  |
| BS-W1-K-34 A2 | 28-34               | 50         | 9.400             | 1187826  |
| BS-W1-K-40 A2 | 34-40               | 25         | 10.000            | 1187832  |
| BS-W1-K-46 A2 | 40-46               | 25         | 12.800            | 1187838  |
| BS-W1-K-52 A2 | 46-52               | 25         | 13.600            | 1187844  |
| BS-W1-K-58 A2 | 52-58               | 25         | 17.100            | 1187850  |



Clamp clip with W-foot, plastic pressure sleeve made of polypropylene. For vertical and horizontal mounting of 1 single cable on angle irons < 40 mm. With 1-start screw thread on pressure sleeve, universal hexagonal screw head WAF10, with slot and cross recess. Suitable for assembly indoors and outdoors. We recommend the use of a counter-sleeve.

| Type          | Clamping range D mm | Dim. A mm | Dim. B mm | Dim. C mm | Dim. G mm | Dim. t mm | Dim. H mm | Dim. L mm | Max. torque Nm |
|---------------|---------------------|-----------|-----------|-----------|-----------|-----------|-----------|-----------|----------------|
| BS-W1-K-22 A2 | 16-22               | 22.5      | 27        | 34        | M6        | 1.5       | 91        | 35        | 3              |
| BS-W1-K-28 A2 | 22-28               | 22.5      | 33        | 34        | M6        | 2         | 97        | 35        | 3              |
| BS-W1-K-34 A2 | 28-34               | 22.5      | 39        | 34        | M6        | 2         | 103       | 35        | 3              |
| BS-W1-K-40 A2 | 34-40               | 22.5      | 45        | 34        | M6        | 2         | 109       | 35        | 3              |
| BS-W1-K-46 A2 | 40-46               | 25        | 51        | 40        | M8        | 2         | 115       | 45        | 5              |
| BS-W1-K-52 A2 | 46-52               | 25        | 57        | 40        | M8        | 2         | 122       | 45        | 5              |
| BS-W1-K-58 A2 | 52-58               | 25        | 64        | 40        | M8        | 2.5       | 128       | 45        | 5              |



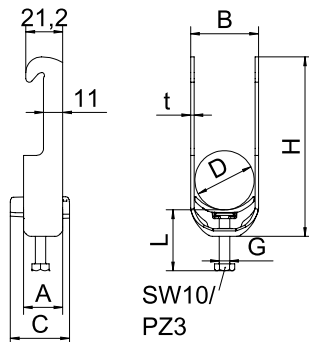
Clamp clip 2056 W-foot, 1-fold, plastic pressure sleeve



| Type           | Clamping range D mm | Pack Piece | Weight kg/100 pc. | Item no. |
|----------------|---------------------|------------|-------------------|----------|
| BS-W1-K-22 ALU | 16-22               | 50         | 1.900             | 1187914  |
| BS-W1-K-28 ALU | 22-28               | 50         | 2.550             | 1187920  |
| BS-W1-K-34 ALU | 28-34               | 50         | 3.200             | 1187926  |
| BS-W1-K-40 ALU | 34-40               | 50         | 3.500             | 1187932  |
| BS-W1-K-46 ALU | 40-46               | 50         | 4.550             | 1187938  |
| BS-W1-K-52 ALU | 46-52               | 50         | 4.800             | 1187944  |
| BS-W1-K-58 ALU | 52-58               | 50         | 5.850             | 1187950  |
| BS-W1-K-64 ALU | 58-64               | 50         | 6.450             | 1187956  |

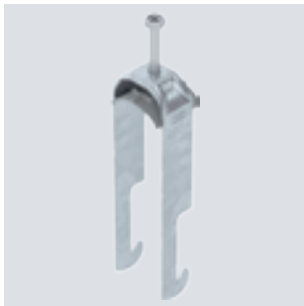
Clamp clip with W-foot, plastic pressure sleeve made of polypropylene. For vertical and horizontal mounting of 1 single cable on angle irons < 40 mm. With 1-start screw thread on pressure sleeve, universal hexagonal screw head WAF10, with slot and cross recess. Suitable for assembly indoors and outdoors. We recommend the use of a counter-sleeve.

Dimensions



| Type           | Clamping range D mm | Dim. A mm | Dim. B mm | Dim. C mm | Dim. G mm | Dim. t mm | Dim. H mm | Dim. L mm | Max. torque Nm |
|----------------|---------------------|-----------|-----------|-----------|-----------|-----------|-----------|-----------|----------------|
| BS-W1-K-22 ALU | 16-22               | 22.5      | 27        | 34        | M6        | 1.5       | 91        | 35        | 3              |
| BS-W1-K-28 ALU | 22-28               | 22.5      | 33        | 34        | M6        | 2         | 97        | 35        | 3              |
| BS-W1-K-34 ALU | 28-34               | 22.5      | 39        | 34        | M6        | 2         | 103       | 35        | 3              |
| BS-W1-K-40 ALU | 34-40               | 22.5      | 45        | 34        | M6        | 2         | 109       | 35        | 3              |
| BS-W1-K-46 ALU | 40-46               | 25        | 51        | 40        | M8        | 2         | 115       | 45        | 5              |
| BS-W1-K-52 ALU | 46-52               | 25        | 57        | 40        | M8        | 2         | 122       | 45        | 5              |
| BS-W1-K-58 ALU | 52-58               | 25        | 64        | 40        | M8        | 2.5       | 128       | 45        | 5              |
| BS-W1-K-64 ALU | 58-64               | 25        | 70        | 40        | M8        | 2.5       | 134       | 45        | 5              |

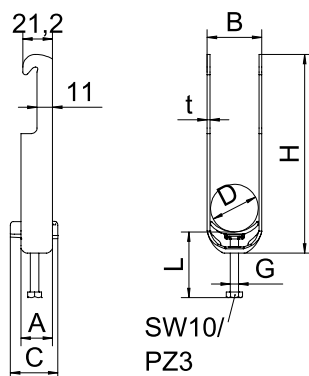
Clamp clip 2056 W-foot, 2-fold, plastic pressure sleeve



| Type          | Clamping range D mm | Pack Piece | Weight kg/100 pc. | Item no. |
|---------------|---------------------|------------|-------------------|----------|
| BS-W2-K-16 FT | 12-16               | 50         | 7.050             | 1187709  |
| BS-W2-K-22 FT | 16-22               | 50         | 7.050             | 1187715  |
| BS-W2-K-28 FT | 22-28               | 50         | 10.350            | 1187721  |
| BS-W2-K-34 FT | 28-34               | 50         | 11.600            | 1187727  |
| BS-W2-K-40 FT | 34-40               | 25         | 12.700            | 1187733  |
| BS-W2-K-46 FT | 40-46               | 25         | 16.750            | 1187739  |
| BS-W2-K-52 FT | 46-52               | 25         | 18.200            | 1187745  |
| BS-W2-K-58 FT | 52-58               | 25         | 23.000            | 1187751  |

Clamp clip with W-foot, plastic pressure sleeve made of polypropylene. For vertical and horizontal mounting of 2 single cables on angle irons < 40 mm. With 1-start screw thread on pressure sleeve, universal hexagonal screw head WAF10, with slot and cross recess. Suitable for assembly indoors and outdoors. Multiple cables should be separated by double sleeves. We recommend the use of a counter-sleeve.

Dimensions



| Type          | Clamping range D mm | Dim. A mm | Dim. B mm | Dim. C mm | Dim. G mm | Dim. t mm | Dim. H mm | Dim. L mm | Max. torque Nm |
|---------------|---------------------|-----------|-----------|-----------|-----------|-----------|-----------|-----------|----------------|
| BS-W2-K-16 FT | 12-16               | 22.5      | 20        | 34        | M6        | 1.5       | 84        | 35        | 3              |
| BS-W2-K-22 FT | 16-22               | 22.5      | 27        | 34        | M6        | 1.5       | 118       | 47        | 3              |
| BS-W2-K-28 FT | 22-28               | 22.5      | 33        | 34        | M6        | 2         | 130       | 47        | 3              |
| BS-W2-K-34 FT | 28-34               | 22.5      | 39        | 34        | M6        | 2         | 142       | 47        | 3              |
| BS-W2-K-40 FT | 34-40               | 22.5      | 45        | 34        | M6        | 2         | 155       | 47        | 3              |
| BS-W2-K-46 FT | 40-46               | 25        | 51        | 40        | M8        | 2         | 167       | 45        | 5              |
| BS-W2-K-52 FT | 46-52               | 25        | 57        | 40        | M8        | 2         | 180       | 45        | 5              |
| BS-W2-K-58 FT | 52-58               | 25        | 64        | 40        | M8        | 2.5       | 192       | 45        | 5              |



### Clamp clip 2056 W-foot, 1-fold, metal pressure sleeve

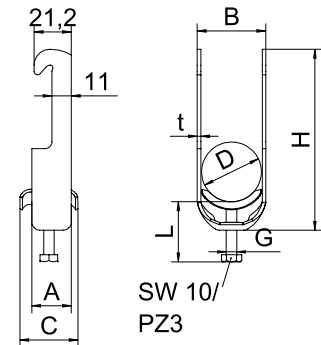
| Type          | Clamping range D mm | Pack Piece | Weight kg/100 pc. | Item no. |
|---------------|---------------------|------------|-------------------|----------|
| BS-W1-M-28 A2 | 22-28               | 100        | 7.800             | 1188020  |
| BS-W1-M-34 A2 | 28-34               | 100        | 9.400             | 1188026  |
| BS-W1-M-40 A2 | 34-40               | 100        | 10.000            | 1188032  |

Clamp clip with W-foot, metal pressure sleeve with rounded edges to protect the cable. For vertical and horizontal mounting of 1 single cable on angle irons < 40 mm. With 1-start screw thread on pressure sleeve, universal hexagonal screw head WAF10, with slot and cross recess. Suitable for assembly indoors and outdoors. We recommend the use of a counter-sleeve.



| Type          | Clamping range D mm | Dim. A mm | Dim. B mm | Dim. C mm | Dim. G mm | Dim. t mm | Dim. H mm | Dim. L mm | Max. torque Nm |
|---------------|---------------------|-----------|-----------|-----------|-----------|-----------|-----------|-----------|----------------|
| BS-W1-M-28 A2 | 22-28               | 22.5      | 33        | 28        | M6        | 2         | 97        | 34        | 3              |
| BS-W1-M-34 A2 | 28-34               | 22.5      | 39        | 34        | M6        | 2         | 103       | 34        | 3              |
| BS-W1-M-40 A2 | 34-40               | 22.5      | 45        | 33        | M6        | 2         | 109       | 34        | 3              |

Dimensions



### Clamp clips, RS foot



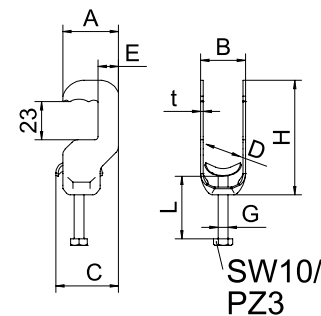
### Clamp clip, 2056 RS foot, single, metal pressure sleeve

| Type           | Clamping range D mm | Pack Piece | Weight kg/100 pc. | Item no. |
|----------------|---------------------|------------|-------------------|----------|
| BS-RS1-M-16 FT | 12-16               | 100        | 4.319             | 1158345  |
| BS-RS1-M-22 FT | 16-22               | 100        | 4.908             | 1158349  |
| BS-RS1-M-28 FT | 22-28               | 100        | 6.782             | 1158353  |
| BS-RS1-M-34 FT | 28-34               | 100        | 8.288             | 1158357  |
| BS-RS1-M-40 FT | 34-40               | 100        | 9.246             | 1158361  |
| BS-RS1-M-46 FT | 40-46               | 100        | 11.152            | 1158365  |
| BS-RS1-M-52 FT | 46-52               | 100        | 11.884            | 1158369  |
| BS-RS1-M-58 FT | 52-58               | 100        | 15.107            | 1158373  |
| BS-RS1-M-64 FT | 58-64               | 100        | 16.641            | 1158377  |

Clamp clip with RS foot, metal pressure sleeve with rounded edges to protect the cable. For vertical and horizontal mounting of 1 single cable on round profiles or pipes. With 1-start screw thread on pressure sleeve, universal hexagonal screw head WAF10, with slot and cross recess. Suitable for all round profile irons or pipes with diameters up to 22 mm. Suitable for mounting indoors and outdoors. We recommend the use of a counter-trough.



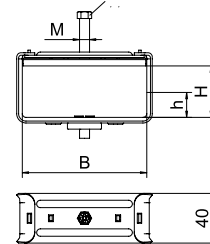
Dimensions



| Type           | Clamping range D mm | Dim. A mm | Dim. B mm | Dim. C mm | Dim. G mm | Dim. t mm | Dim. H mm | Dim. L mm | Max. torque Nm |
|----------------|---------------------|-----------|-----------|-----------|-----------|-----------|-----------|-----------|----------------|
| BS-RS1-M-16 FT | 12-16               | 34        | 20        | 38        | M6        | 1.5       | 64        | 26        | 3              |
| BS-RS1-M-22 FT | 16-22               | 34        | 27        | 38        | M6        | 1.5       | 69        | 38        | 3              |
| BS-RS1-M-28 FT | 22-28               | 34        | 33        | 38        | M6        | 2         | 73        | 38        | 3              |
| BS-RS1-M-34 FT | 28-34               | 34        | 39        | 41        | M8        | 2         | 79        | 33        | 5              |
| BS-RS1-M-40 FT | 34-40               | 34        | 45        | 40        | M6        | 2         | 86        | 38        | 3              |
| BS-RS1-M-46 FT | 40-46               | 36        | 51        | 42        | M8        | 2         | 94        | 33        | 5              |
| BS-RS1-M-52 FT | 46-52               | 36        | 57        | 42        | M8        | 2         | 97        | 33        | 5              |
| BS-RS1-M-58 FT | 52-58               | 36        | 64        | 42        | M8        | 2.5       | 103       | 33        | 5              |
| BS-RS1-M-64 FT | 58-64               | 36        | 70        | 42        | M8        | 2.5       | 114       | 33        | 5              |

## Bundle clip

St FT  
16-17

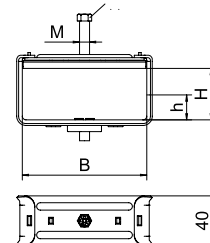
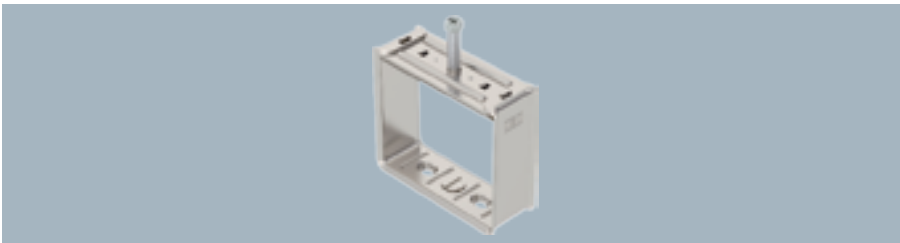


| Type         | Height x Width<br>mm | Dim.<br>h<br>mm | Dim.<br>H<br>mm | Dim.<br>B<br>mm | Pack<br>Piece | Weight<br>kg/100 pc. | Item no. |
|--------------|----------------------|-----------------|-----------------|-----------------|---------------|----------------------|----------|
| 2056 B 35 FT | 35 x 50              | 20              | 35              | 50              | 100           | 16.000               | 1194054  |
| 2056 B 40 FT | 40 x 100             | 15              | 40              | 100             | 50            | 32.700               | 1194046  |
| 2056 B 80 FT | 80 x 100             | 55              | 80              | 100             | 25            | 38.300               | 1194089  |

Clip and bolt made of hot-dip galvanized steel, countersunk head bolt made of rustproof stainless steel, slide nut made of electrogalvanized stainless steel.

## Bundle clip

A2 2B  
16-17



| Type         | Height x Width<br>mm | Dim.<br>h<br>mm | Dim.<br>H<br>mm | Dim.<br>B<br>mm | Pack<br>Piece | Weight<br>kg/100 pc. | Item no. |
|--------------|----------------------|-----------------|-----------------|-----------------|---------------|----------------------|----------|
| 2056 B 80 A2 | 80 x 100             | 55              | 80              | 100             | 25            | 38.300               | 1194372  |

Clip and bolt made of hot-dip galvanized steel, countersunk head bolt made of rustproof stainless steel, slide nut made of electrogalvanized stainless steel.





### Clamp clip, hammer-head base, 3x single-wire connection

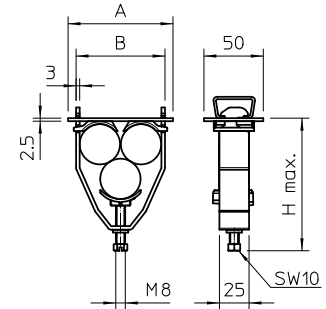
| Type         | Clamping range D mm | Pack Piece | Weight kg/100 pc. | Item no. |
|--------------|---------------------|------------|-------------------|----------|
| 2056 E 31 FT | 28-31               | 25         | 19.500            | 1174606  |
| 2056 E 37 FT | 34-37               | 25         | 24.600            | 1174614  |
| 2056 E 44 FT | 40-44               | 25         | 28.300            | 1174630  |

Clip element, bolt and lock plate made of hot-dip galvanised steel, pressure and counter-trough made of polypropylene, halogen-free, light grey RAL 7035. Delivered complete with lock plate and counter-troughs.



| Type         | Clamping range D mm | Dim. A mm | Dim. B mm | Dim. H mm | Max. torque Nm |
|--------------|---------------------|-----------|-----------|-----------|----------------|
| 2056 E 31 FT | 28-31               | 83        | 69        | 107       | 5              |
| 2056 E 37 FT | 34-37               | 95        | 81        | 118       | 5              |
| 2056 E 44 FT | 40-44               | 109       | 95        | 143       | 5              |

Dimensions



### Clamp clip, U base, 3x single-wire connection

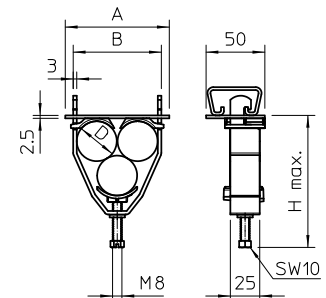
| Type         | Clamping range D mm | Pack Piece | Weight kg/100 pc. | Item no. |
|--------------|---------------------|------------|-------------------|----------|
| 2056U-E28 FT | 25-28               | 25         | 20.000            | 1174509  |
| 2056U-E31 FT | 28-31               | 25         | 19.500            | 1174541  |
| 2056U-E34 FT | 31-34               | 25         | 23.000            | 1174517  |
| 2056U-E37 FT | 34-37               | 25         | 24.600            | 1174568  |
| 2056U-E40 FT | 37-40               | 25         | 26.000            | 1174525  |
| 2056U-E44 FT | 40-44               | 25         | 28.300            | 1174576  |

Clip element, bolt and lock plate made of hot-dip galvanised steel, pressure and counter-trough made of polypropylene, halogen-free, light grey RAL 7035. Delivered complete with lock plate and counter-troughs.

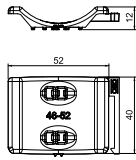
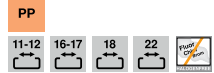


| Type         | Clamping range D mm | Dim. A mm | Dim. B mm | Dim. H mm | Max. torque Nm |
|--------------|---------------------|-----------|-----------|-----------|----------------|
| 2056U-E28 FT | 25-28               | 77        | 63        | 101       | 5              |
| 2056U-E31 FT | 28-31               | 83        | 69        | 107       | 5              |
| 2056U-E34 FT | 31-34               | 89        | 75        | 112       | 5              |
| 2056U-E37 FT | 34-37               | 95        | 81        | 118       | 5              |
| 2056U-E40 FT | 37-40               | 101       | 87        | 123       | 5              |
| 2056U-E44 FT | 40-44               | 109       | 95        | 143       | 5              |

Dimensions



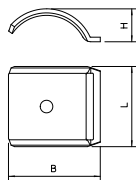
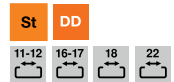
## Universal counter-trough, plastic



| Type           | Clamping range D mm | Dim. L mm | Dim. B mm | Dim. H mm | Colour     | Shipping box Piece | Pack Piece | Item no. |
|----------------|---------------------|-----------|-----------|-----------|------------|--------------------|------------|----------|
| 2058UW 12 LGR  | 8-12                | 37        | 18.5      | 5.8       | Light grey | 1500               | 100        | 1198012  |
| 2058UW 16 LGR  | 12-16               | 37        | 21.5      | 5.8       | Light grey | 1600               | 100        | 1198016  |
| 2058UW 22 LGR  | 16-22               | 37        | 27.5      | 6.8       | Light grey | 1500               | 100        | 1198022  |
| 2058UW 28 LGR  | 22-28               | 37        | 33.5      | 8.3       | Light grey | 1200               | 100        | 1198028  |
| 2058UW 34 LGR  | 28-34               | 37        | 45.5      | 9.8       | Light grey | 1200               | 100        | 1198034  |
| 2058UW 40 LGR  | 34-40               | 37        | 45.5      | 10.8      | Light grey | 600                | 50         | 1198040  |
| 2058UW 46 LGR  | 40-46               | 40        | 51.5      | 11.8      | Light grey | 600                | 50         | 1198046  |
| 2058UW 52 LGR  | 46-52               | 40        | 57.5      | 11.8      | Light grey | 600                | 50         | 1198052  |
| 2058UW 58 LGR  | 52-58               | 40        | 63.5      | 11.8      | Light grey | 600                | 50         | 1198058  |
| 2058UW 64 LGR  | 58-64               | 40        | 69.5      | 11.8      | Light grey | 600                | 50         | 1198064  |
| 2058UW 70 LGR  | 64-70               | 40        | 75.5      | 12.3      | Light grey | 300                | 25         | 1198070  |
| 2058UW 76 LGR  | 70-76               | 40        | 81.5      | 12.3      | Light grey | 300                | 25         | 1198076  |
| 2058UW 82 LGR  | 76-82               | 40        | 87.5      | 12.3      | Light grey | 300                | 25         | 1198082  |
| 2058UW 90 LGR  | 82-90               | 40        | 96        | 12.8      | Light grey | 300                | 25         | 1198090  |
| 2058UW 100 LGR | 90-100              | 40        | 106       | 12.8      | Light grey | 300                | 25         | 1198100  |

Regardless of the type of rail, the counter-trough can be used by applying it onto one side of the clamp clip. Due to an intelligent contour on the backside, the counter-trough can be combined to a double trough. Retrofitting possible without the need to dismantle.

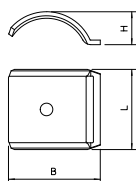
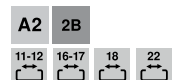
## Counter-trough, metal



| Type           | Clamping range D mm | Dim. L mm | Dim. B mm | Dim. H mm | Pack Piece | Weight kg/100 pc. | Item no. |
|----------------|---------------------|-----------|-----------|-----------|------------|-------------------|----------|
| 2058FW M 12 DD | 8-12                | 35        | 17.5      | 6.5       | 100        | 0.940             | 1199846  |
| 2058FW M 16 DD | 12-16               | 35        | 21.5      | 7.7       | 100        | 1.100             | 1199854  |
| 2058FW M 22 DD | 16-22               | 35        | 28        | 8.8       | 100        | 1.200             | 1199862  |
| 2058FW M 28 DD | 22-28               | 35        | 34        | 10.4      | 100        | 1.400             | 1199870  |
| 2058FW M 34 DD | 28-34               | 35        | 40        | 13.5      | 100        | 2.160             | 1199889  |
| 2058FW M 40 DD | 34-40               | 35        | 46        | 15.1      | 100        | 2.490             | 1199897  |
| 2058FW M 46 DD | 40-46               | 35        | 52        | 17.2      | 100        | 3.270             | 1199900  |
| 2058FW M 52 DD | 46-52               | 35        | 58        | 19.2      | 50         | 3.460             | 1199919  |
| 2058FW M 58 DD | 52-58               | 35        | 64        | 20.3      | 50         | 3.620             | 1199927  |
| 2058FW M 64 DD | 58-64               | 35        | 70        | 22.4      | 50         | 4.280             | 1199935  |
| 2058FW M 70 DD | 64-70               | 35        | 76        | 24.5      | 50         | 4.590             | 1199943  |

Metal counter-trough, for mounting on clamp clip. Can be used universally, irrespective of the rail.

## Counter-trough, metal, universal



| Type           | Clamping range D mm | Dim. L mm | Dim. B mm | Dim. H mm | Pack Piece | Weight kg/100 pc. | Item no. |
|----------------|---------------------|-----------|-----------|-----------|------------|-------------------|----------|
| 2058FW M 8 A2  | 4-8                 | 35        | 13        | 2.25      | 100        | 0.249             | 1197096  |
| 2058FW M 12 A2 | 8-12                | 35        | 17.5      | 6.5       | 100        | 0.567             | 1197134  |
| 2058FW M 16 A2 | 12-16               | 35        | 21.5      | 7.7       | 100        | 0.770             | 1197177  |
| 2058FW M 22 A2 | 16-22               | 35        | 28        | 8.8       | 100        | 1.062             | 1197231  |
| 2058FW M 28 A2 | 22-28               | 35        | 34        | 10.4      | 100        | 1.356             | 1197290  |
| 2058FW M 34 A2 | 28-34               | 35        | 40        | 13.5      | 100        | 2.187             | 1197355  |
| 2058FW M 40 A2 | 34-40               | 35        | 46        | 15.1      | 100        | 2.576             | 1197428  |
| 2058FW M 46 A2 | 40-46               | 35        | 52        | 17.2      | 100        | 3.005             | 1197479  |
| 2058FW M 52 A2 | 46-52               | 35        | 58        | 19.2      | 50         | 3.425             | 1197533  |
| 2058FW M 58 A2 | 52-58               | 35        | 64        | 20.3      | 50         | 3.776             | 1197592  |
| 2058FW M 64 A2 | 58-64               | 35        | 70        | 24.5      | 50         | 4.203             | 1197606  |

Irrespective of the rail, universally applicable by pushing onto a limb of the BBS clamp clip.

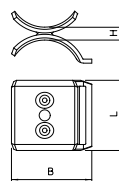
**St** **DD**



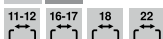
| Type                 | Clamping range D mm | Dim. L mm | Dim. B mm | Dim. H mm | Pack Piece | Weight kg/100 pc. | Item no.       |
|----------------------|---------------------|-----------|-----------|-----------|------------|-------------------|----------------|
| <b>2058 M2 12 DD</b> | 8-12                | 35        | 17.6      | 5.4       | 100        | 1.360             | <b>1199706</b> |
| <b>2058 M2 16 DD</b> | 12-16               | 35        | 21.5      | 5.4       | 50         | 1.800             | <b>1199714</b> |
| <b>2058 M2 22 DD</b> | 16-22               | 35        | 28        | 5.4       | 50         | 2.300             | <b>1199722</b> |
| <b>2058 M2 28 DD</b> | 22-28               | 35        | 34        | 5.4       | 50         | 3.100             | <b>1199730</b> |
| <b>2058 M2 34 DD</b> | 28-34               | 35        | 40        | 6.4       | 50         | 3.760             | <b>1199749</b> |
| <b>2058 M2 40 DD</b> | 34-40               | 35        | 46        | 6.4       | 50         | 5.600             | <b>1199757</b> |

Metallic double trough as intermediate layer between two or three cables within a clamp clip.

## Double trough, metal



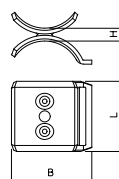
**A2** **2B**



| Type                 | Clamping range D mm | Dim. L mm | Dim. B mm | Dim. H mm | Pack Piece | Weight kg/100 pc. | Item no.       |
|----------------------|---------------------|-----------|-----------|-----------|------------|-------------------|----------------|
| <b>2058 M2 22 A2</b> | 16-22               | 35        | 28        | 5.4       | 50         | 2.300             | <b>1196597</b> |
| <b>2058 M2 28 A2</b> | 22-28               | 35        | 34        | 5.4       | 50         | 3.100             | <b>1196599</b> |
| <b>2058 M2 34 A2</b> | 28-34               | 35        | 40        | 6.4       | 50         | 3.760             | <b>1196601</b> |

Metallic double trough as intermediate layer between two or three cables within a clamp clip.

## Double trough, metal



**OBO Bettermann Holding GmbH Co. KG**

P.O.Box 1120  
58694 Menden  
GERMANY

**Customer Service**

Tel.:+49 23 73 89 - 17 00  
export@obo.de

[www.obo-bettermann.com](http://www.obo-bettermann.com)

© OBO Bettermann 06/2023 EN

**Building Connections**

